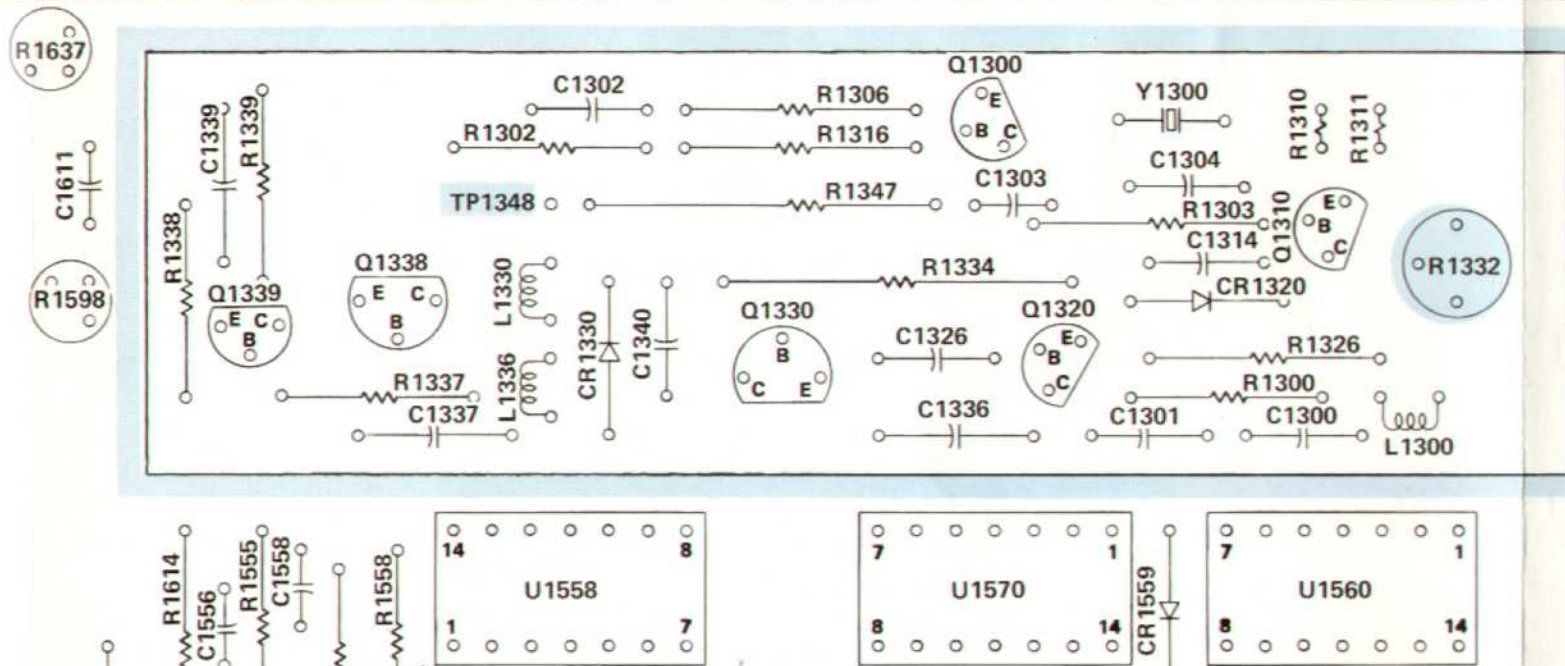
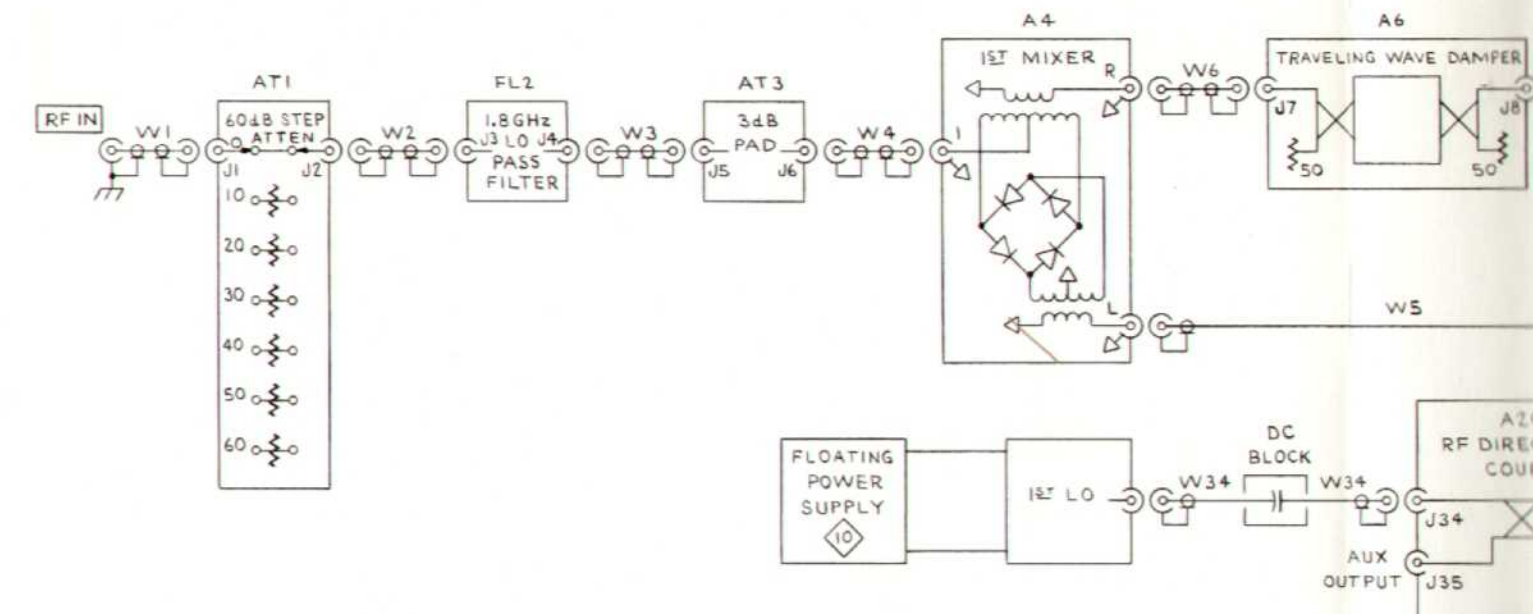
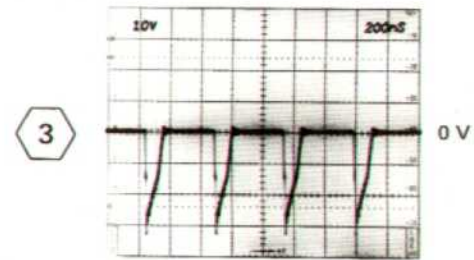
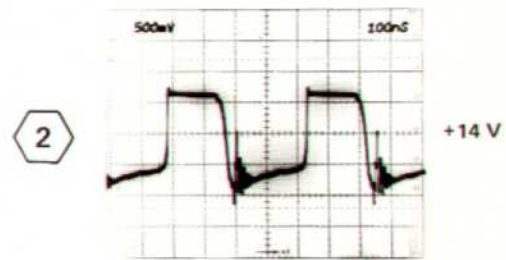
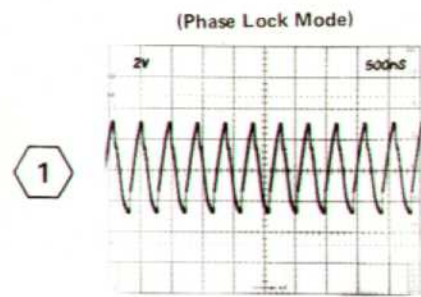


7L12

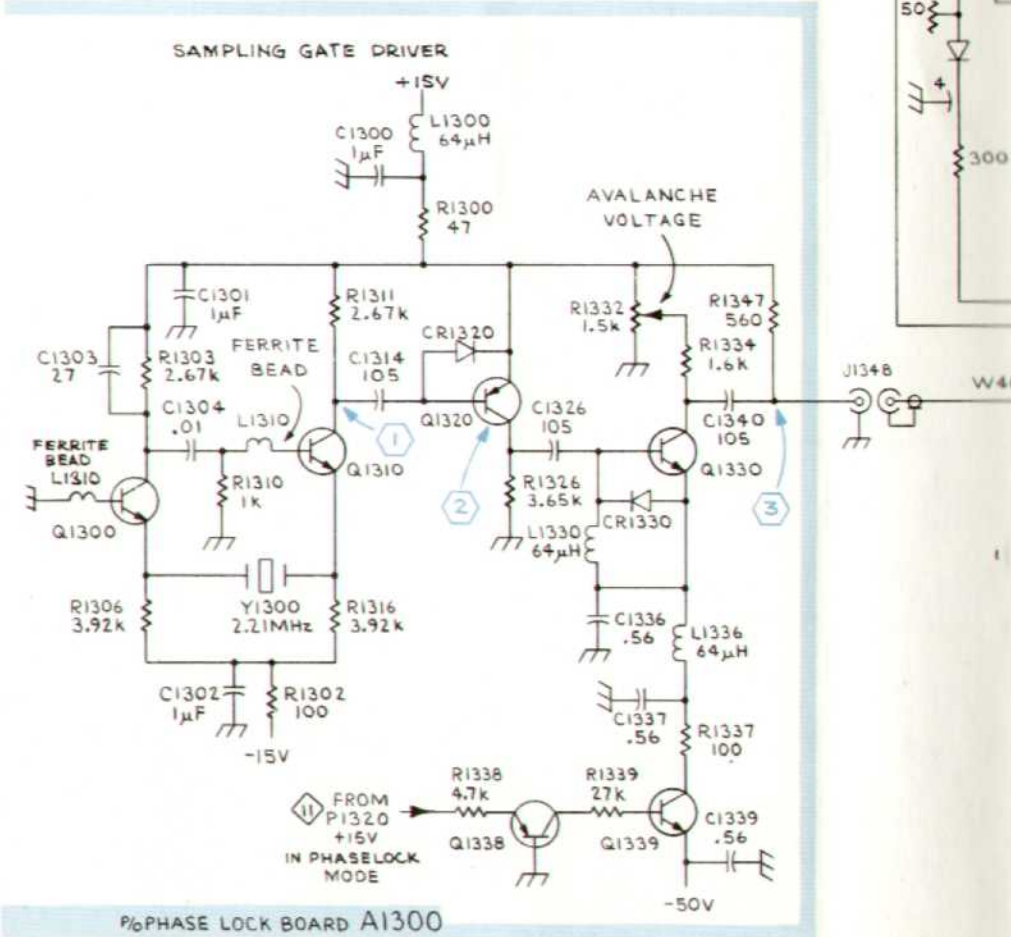
Ⓐ

6-6-72 DL
BLOCK DIAGRAM

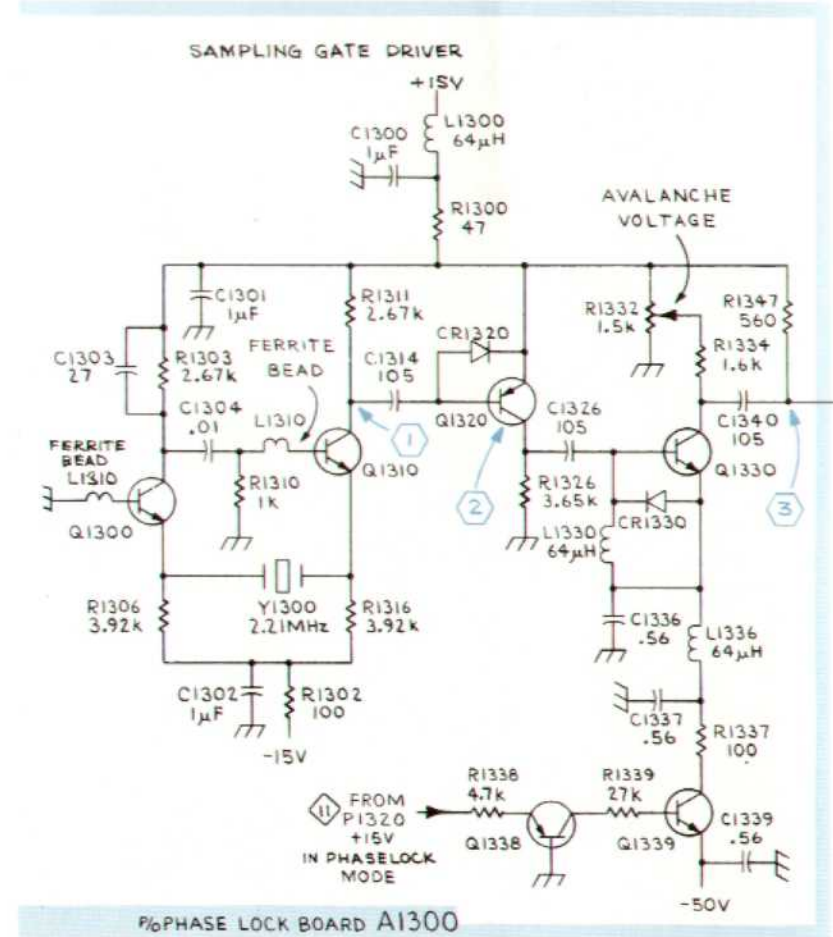
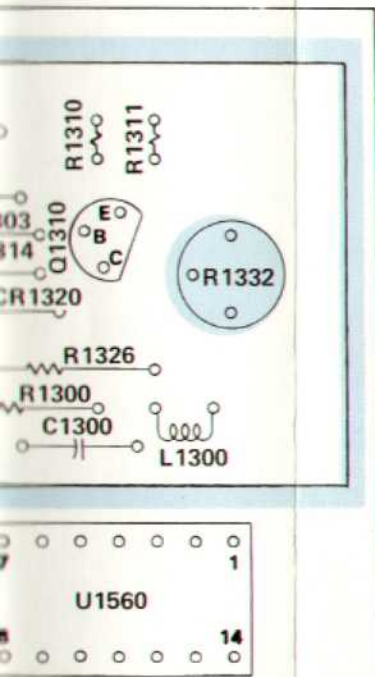
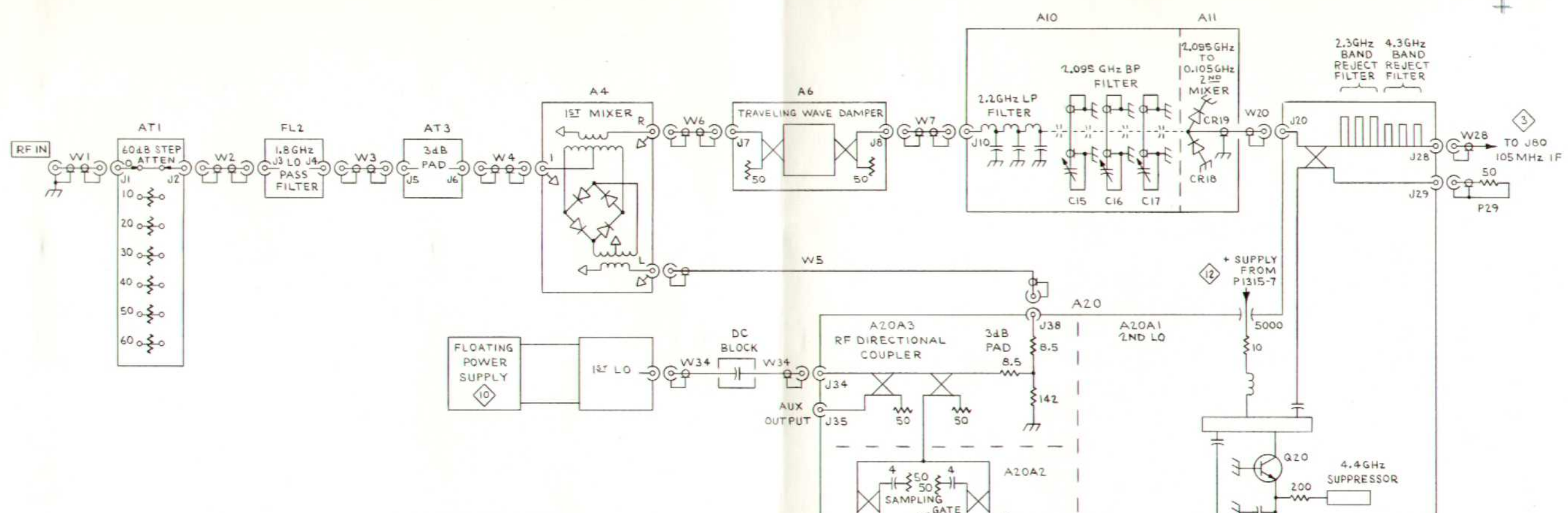
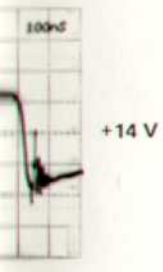




P/O A1300 Phase Lock Circuit Board

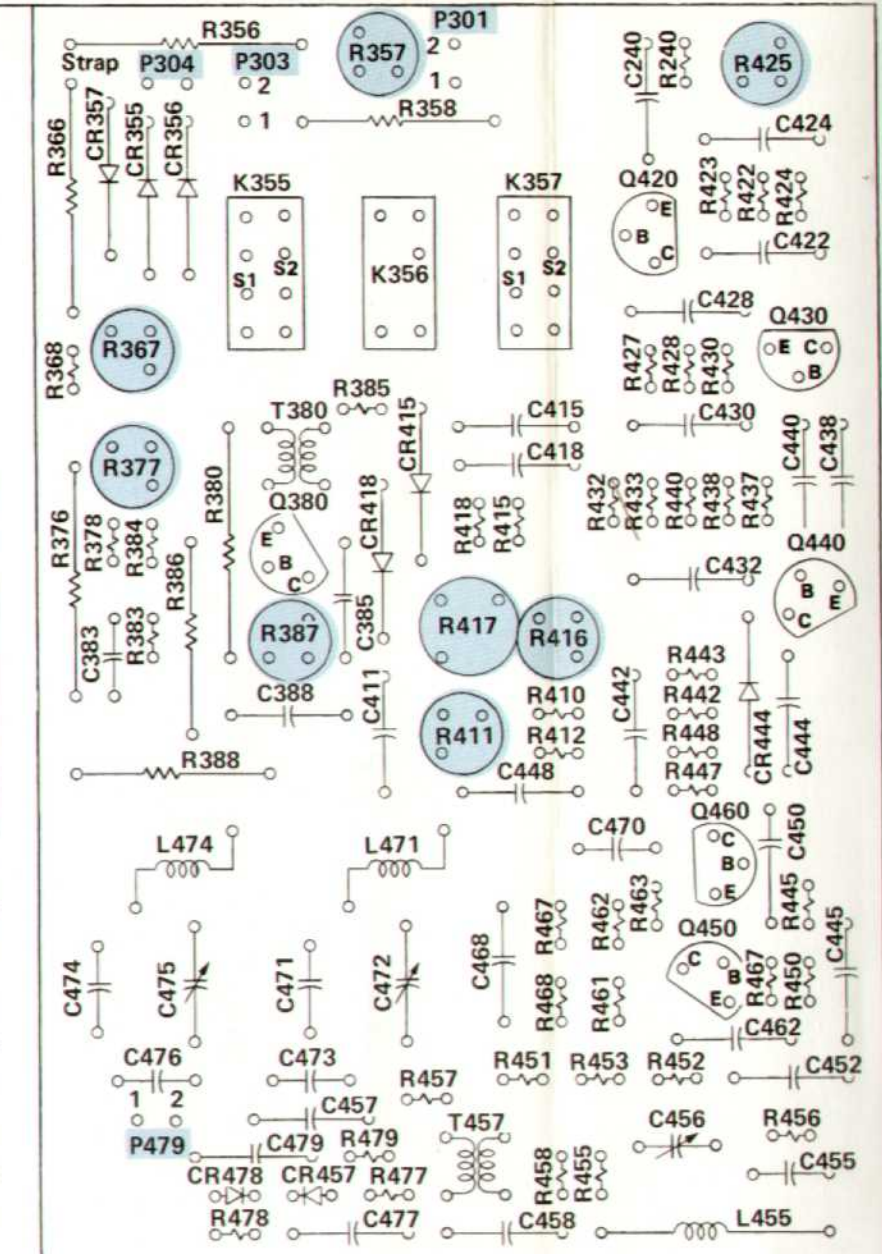
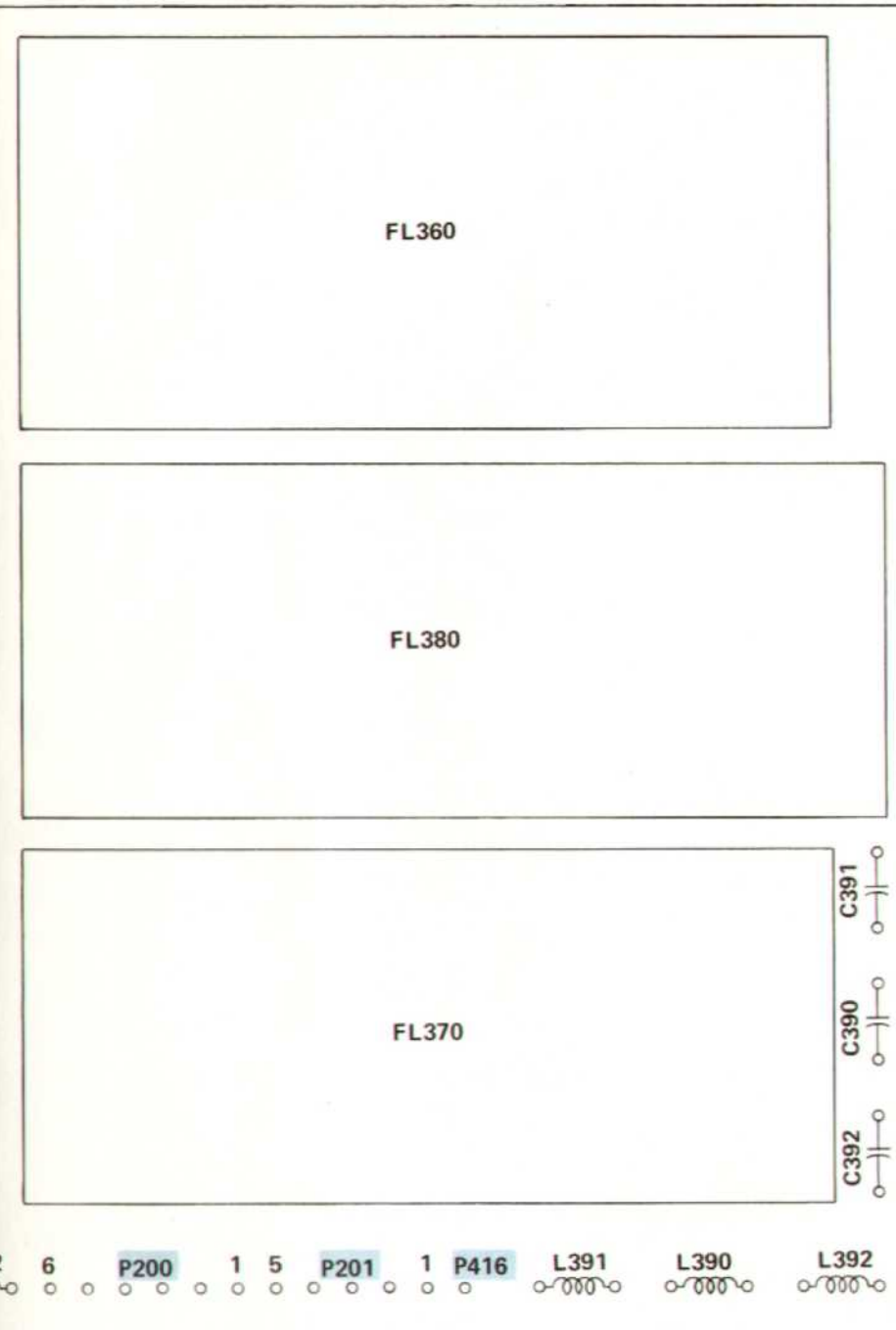
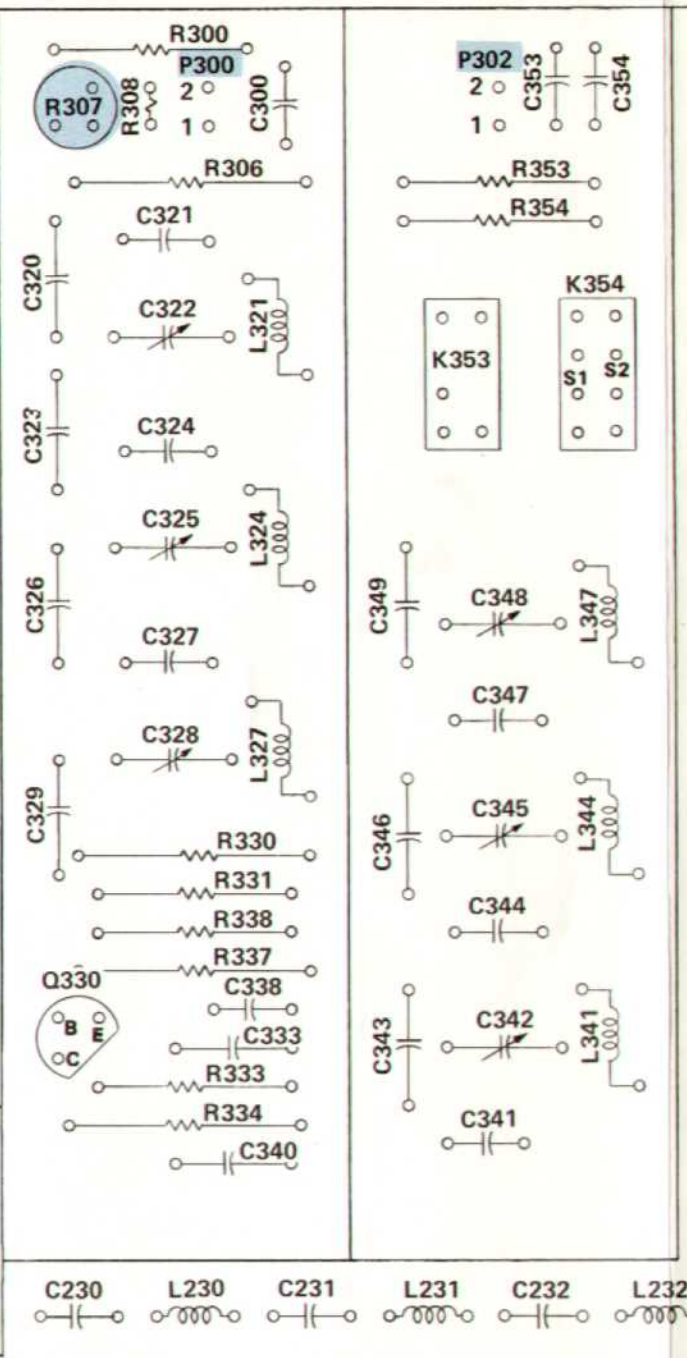
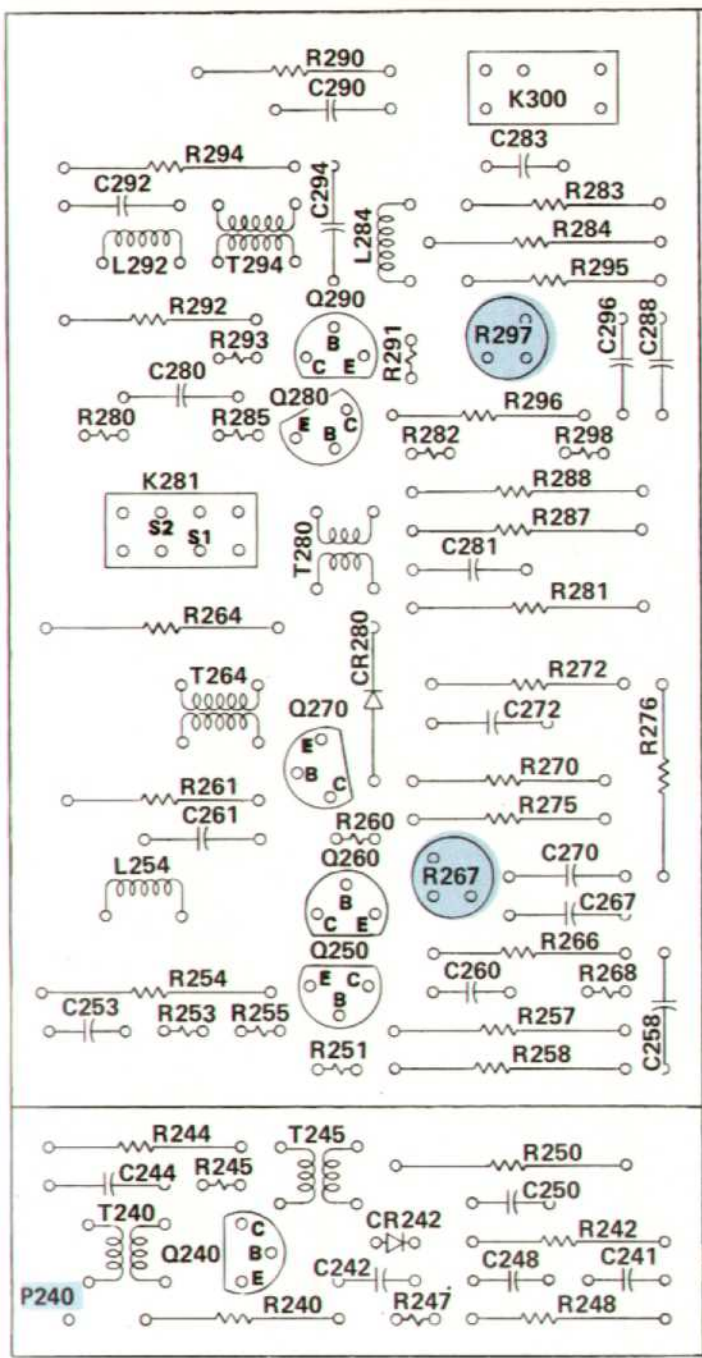


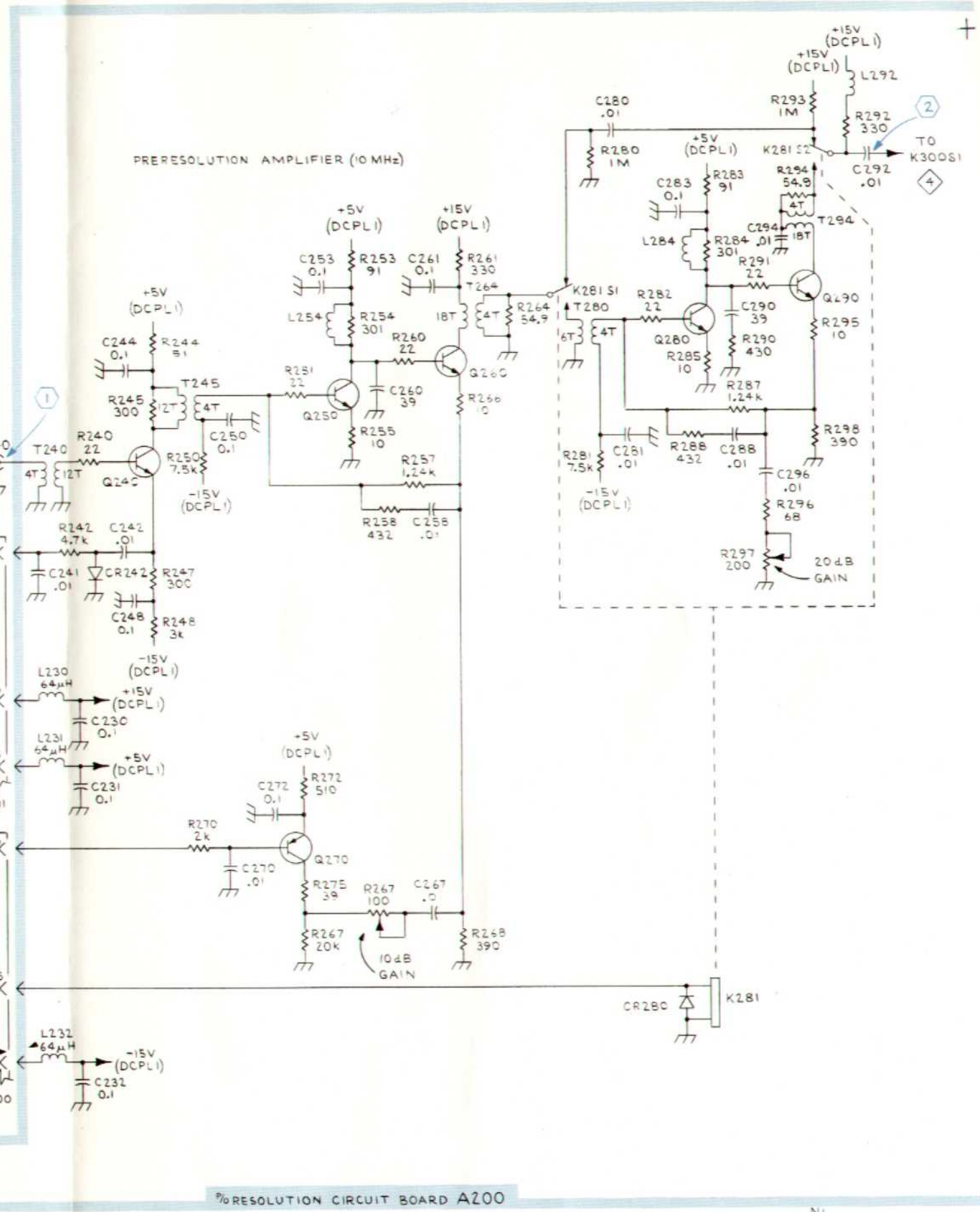
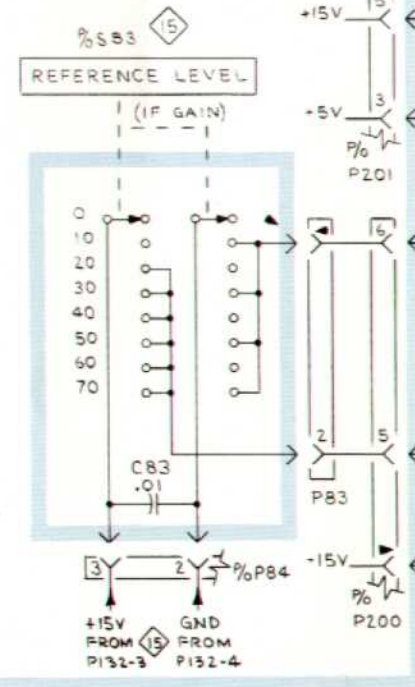
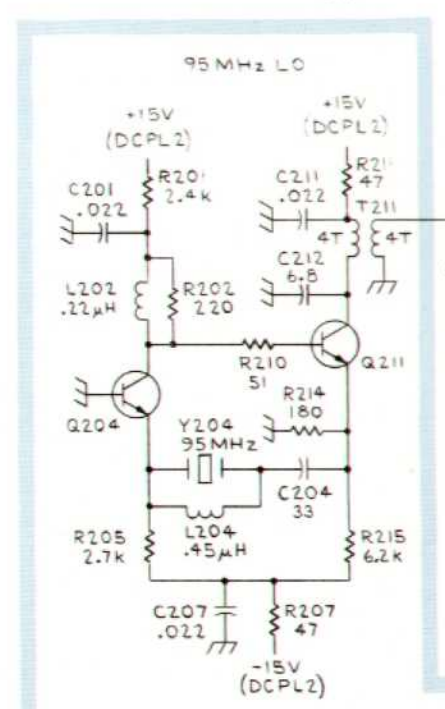
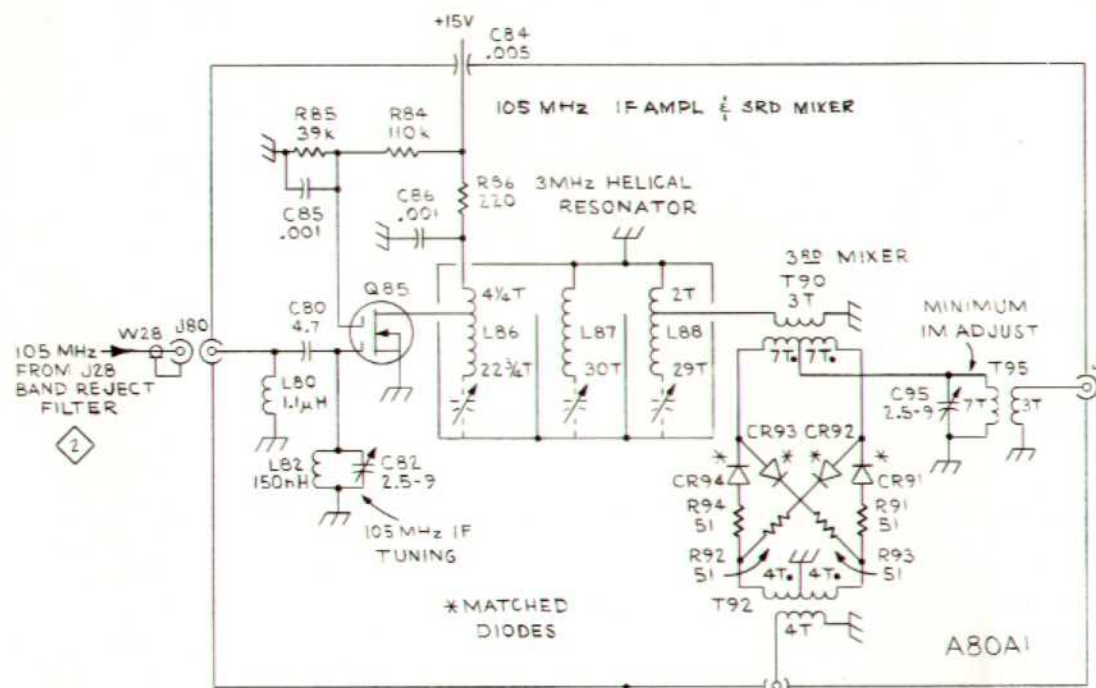
P/O PHASE LOCK BOARD A1300



1/6 PHASE LOCK BOARD A1300

7L12



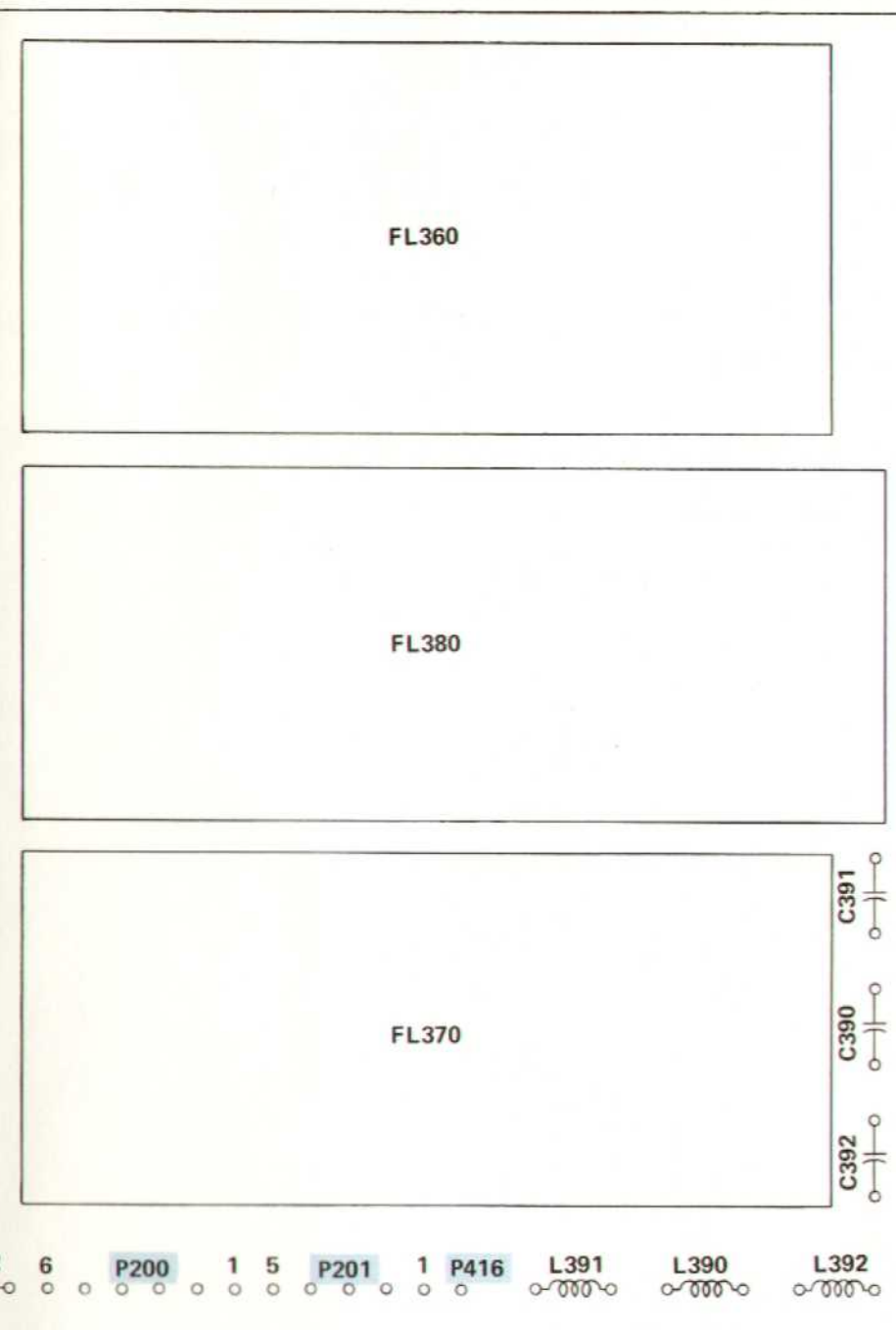
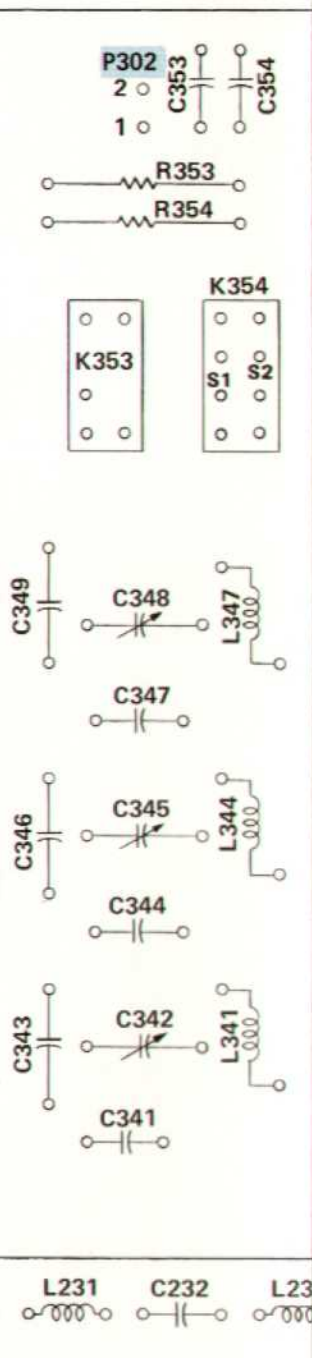
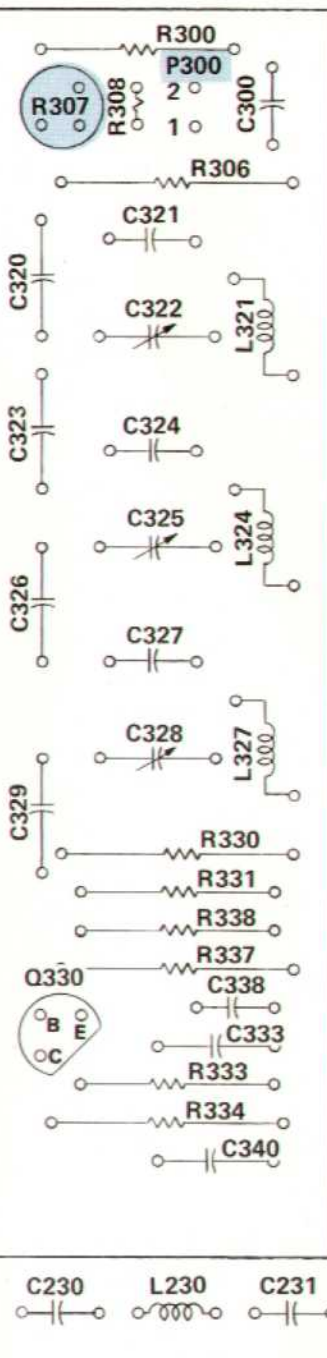
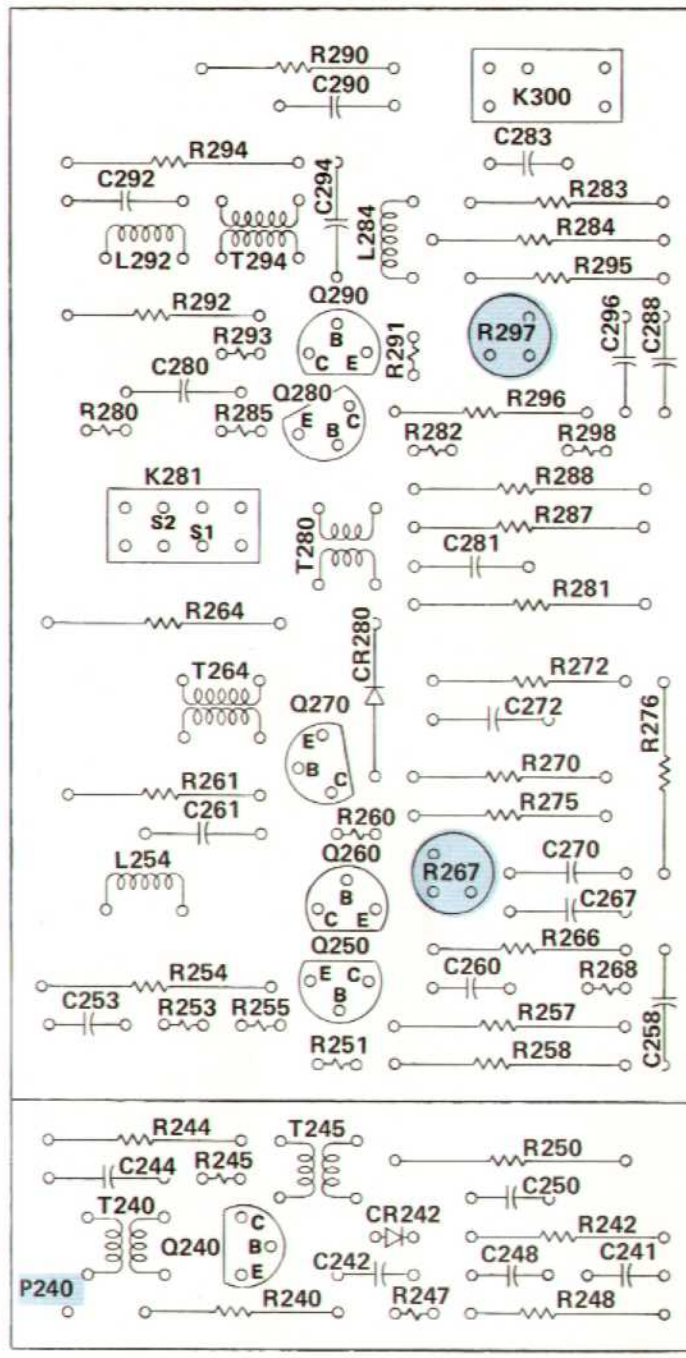


7L12

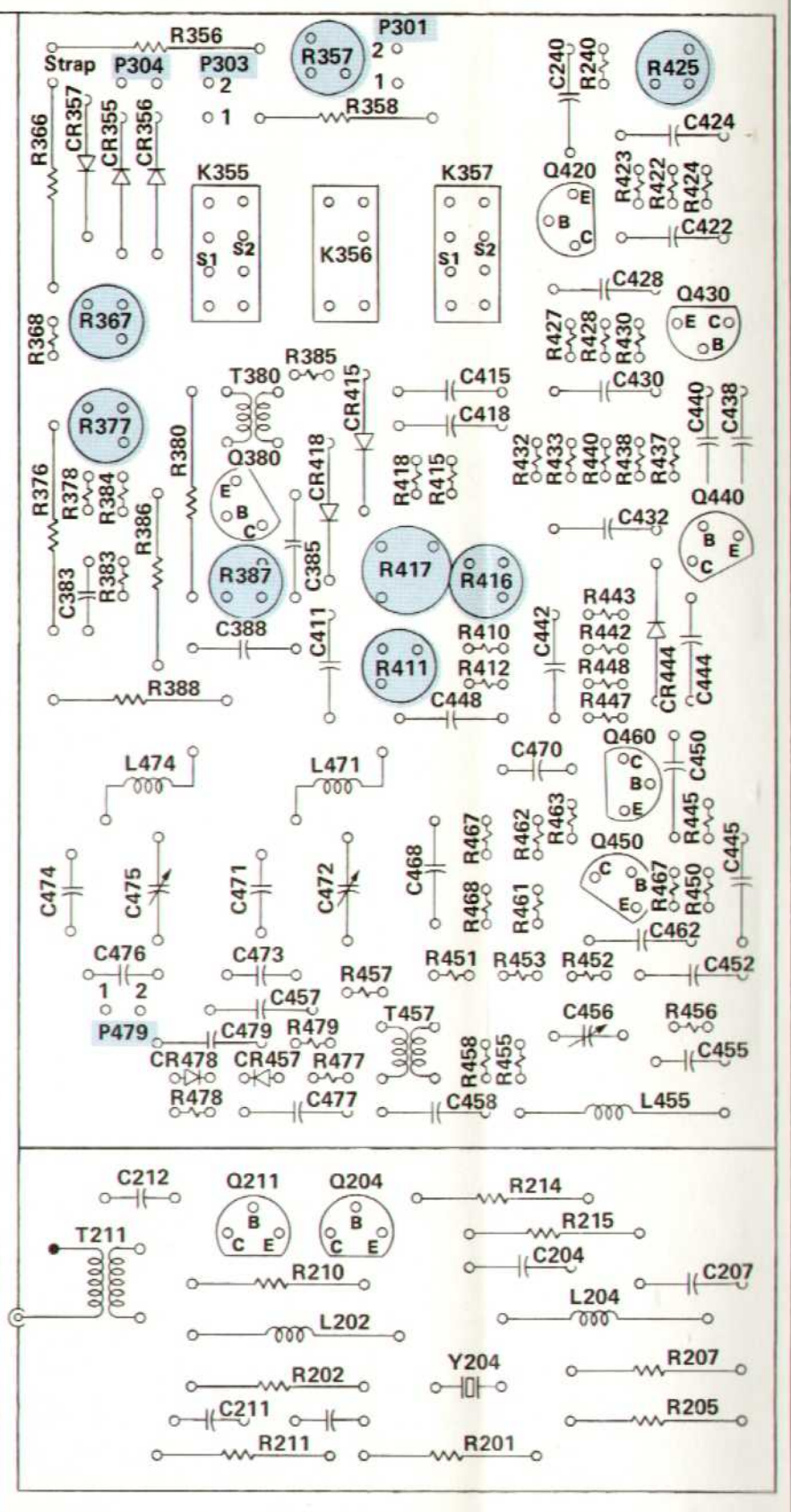
(A)

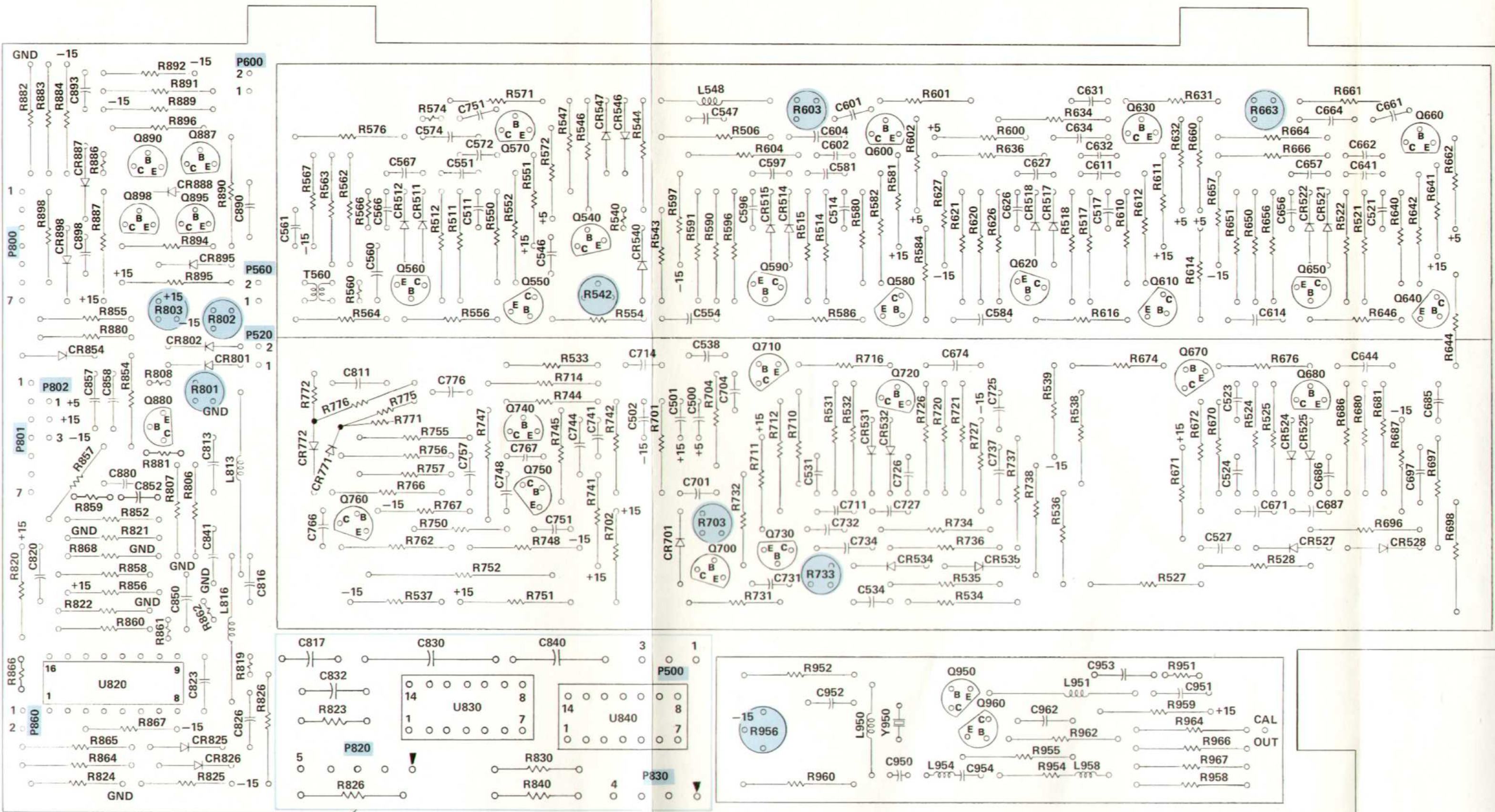
3RD MIXER-95MHz LO & PRERESOLUTION AMPLIFIER

NL 572



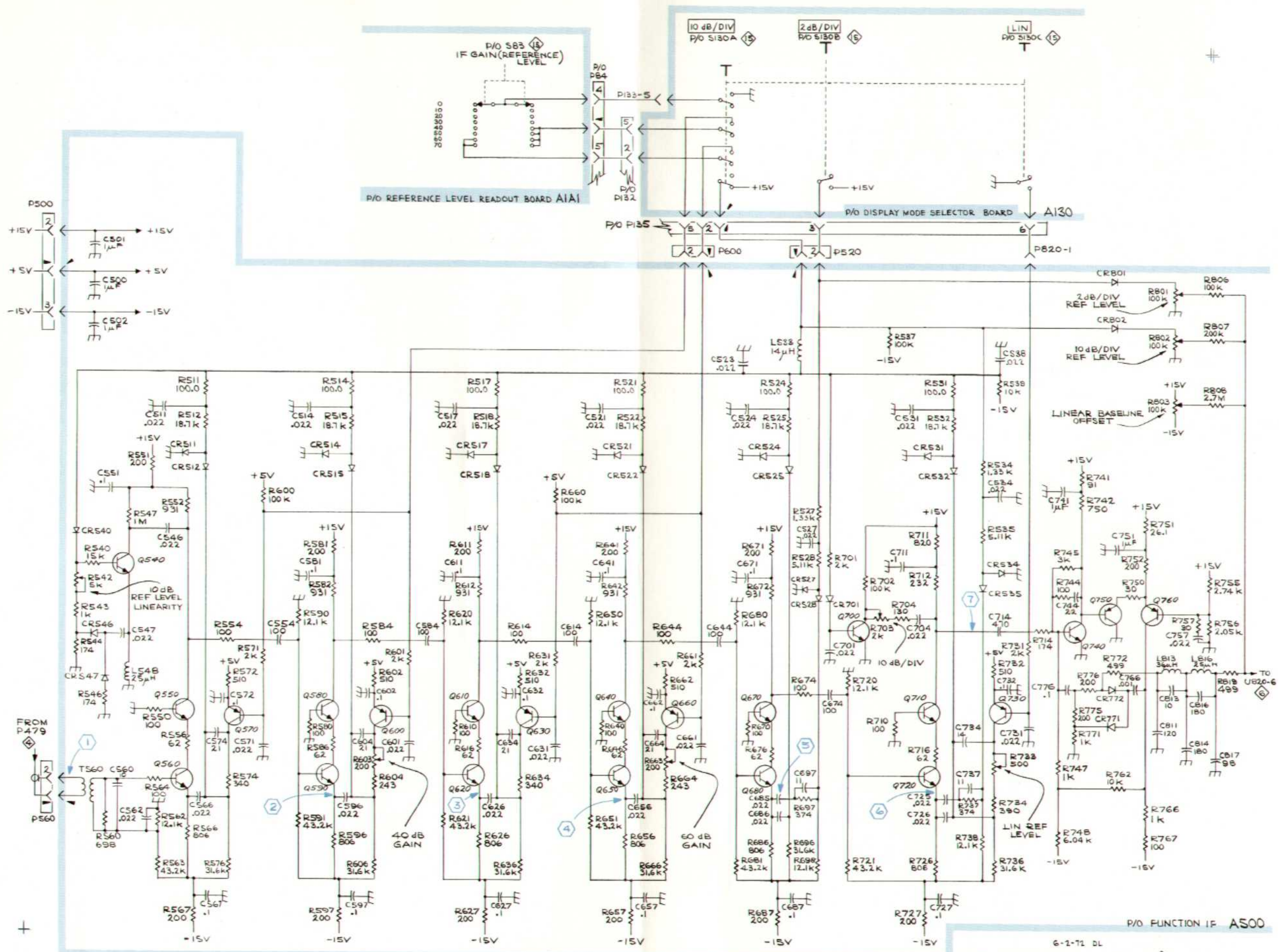
A200 Resolution Circuit Board

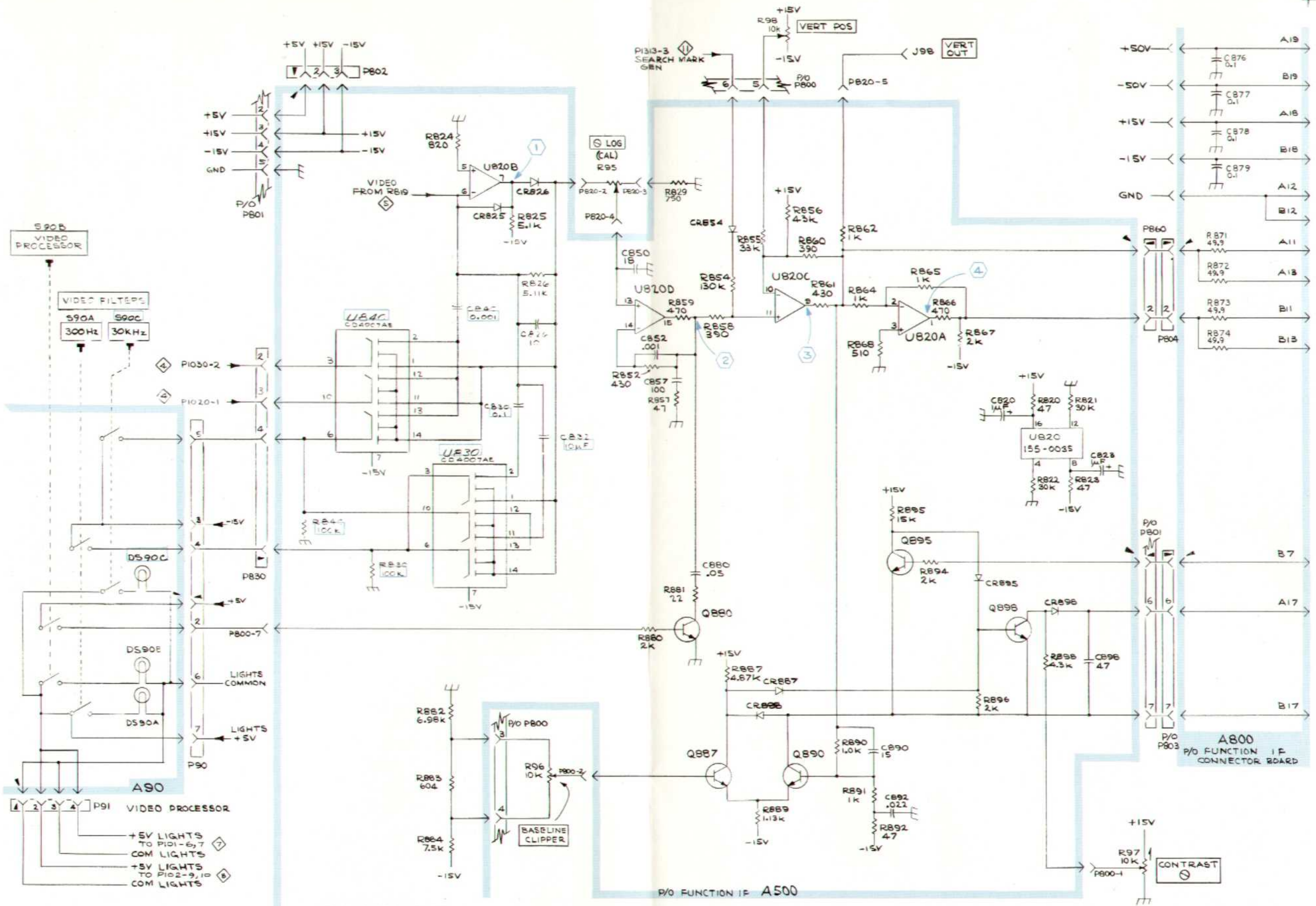




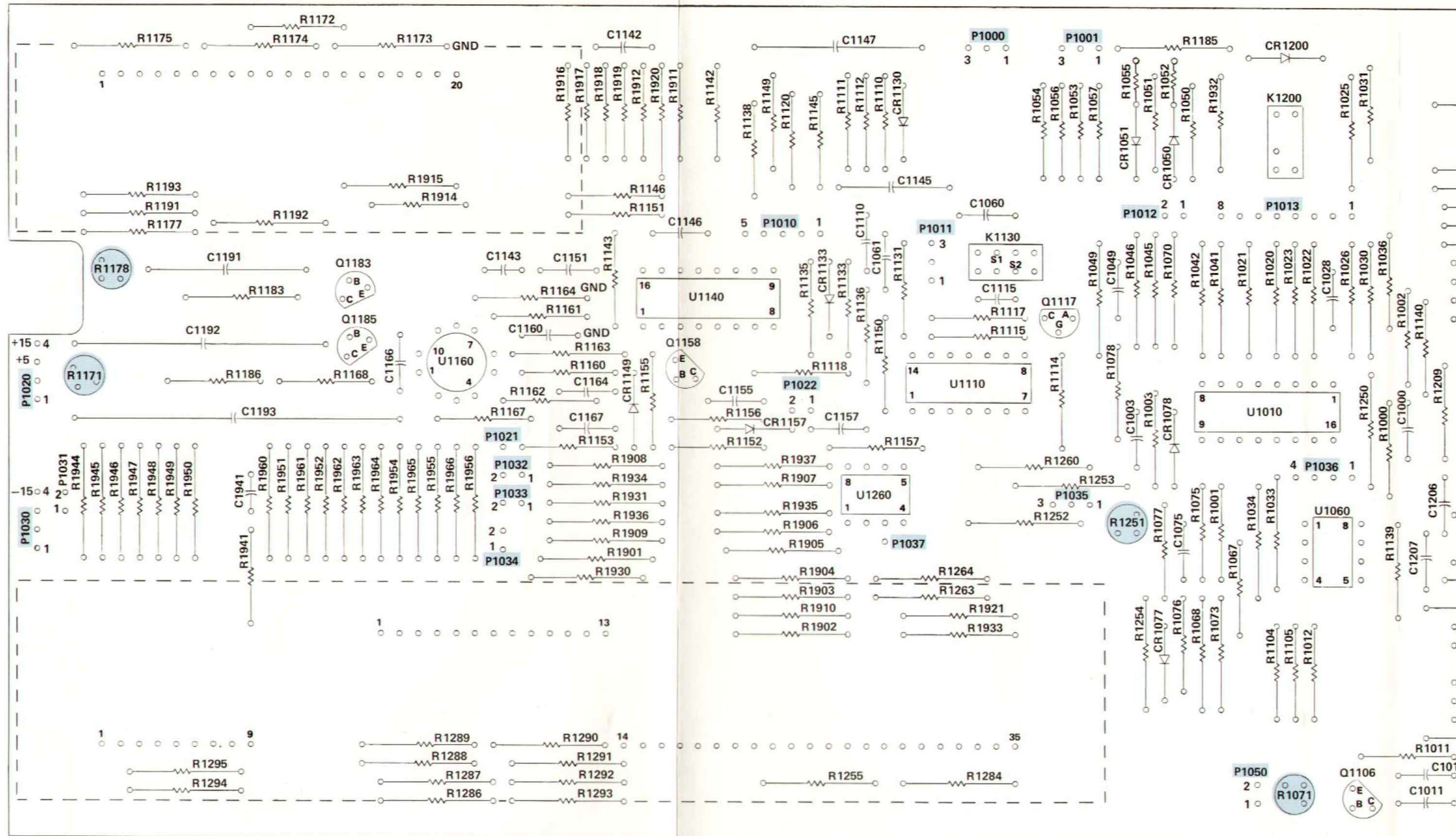
Changed SN B040000

A500 Function I.F. Circuit Board

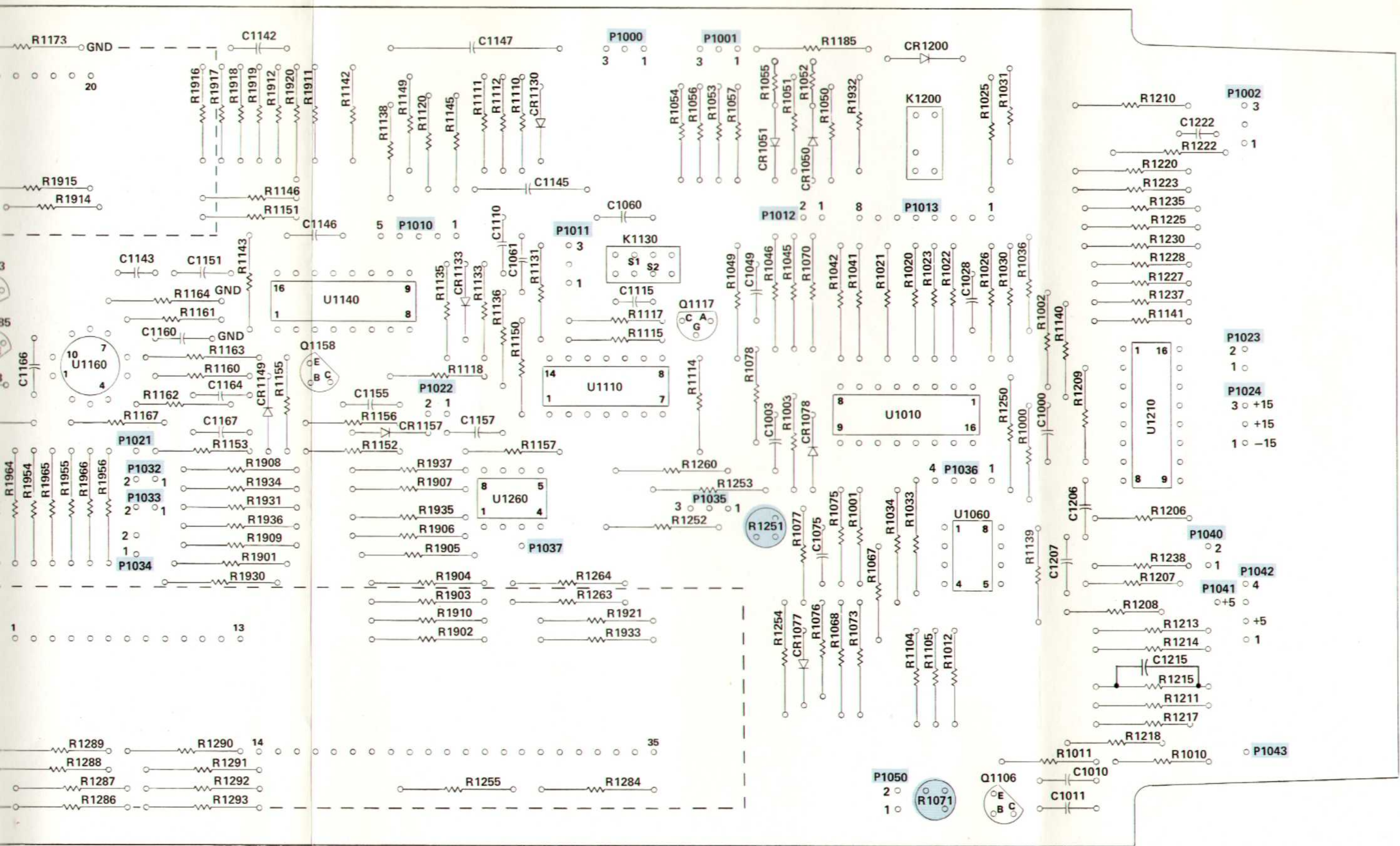




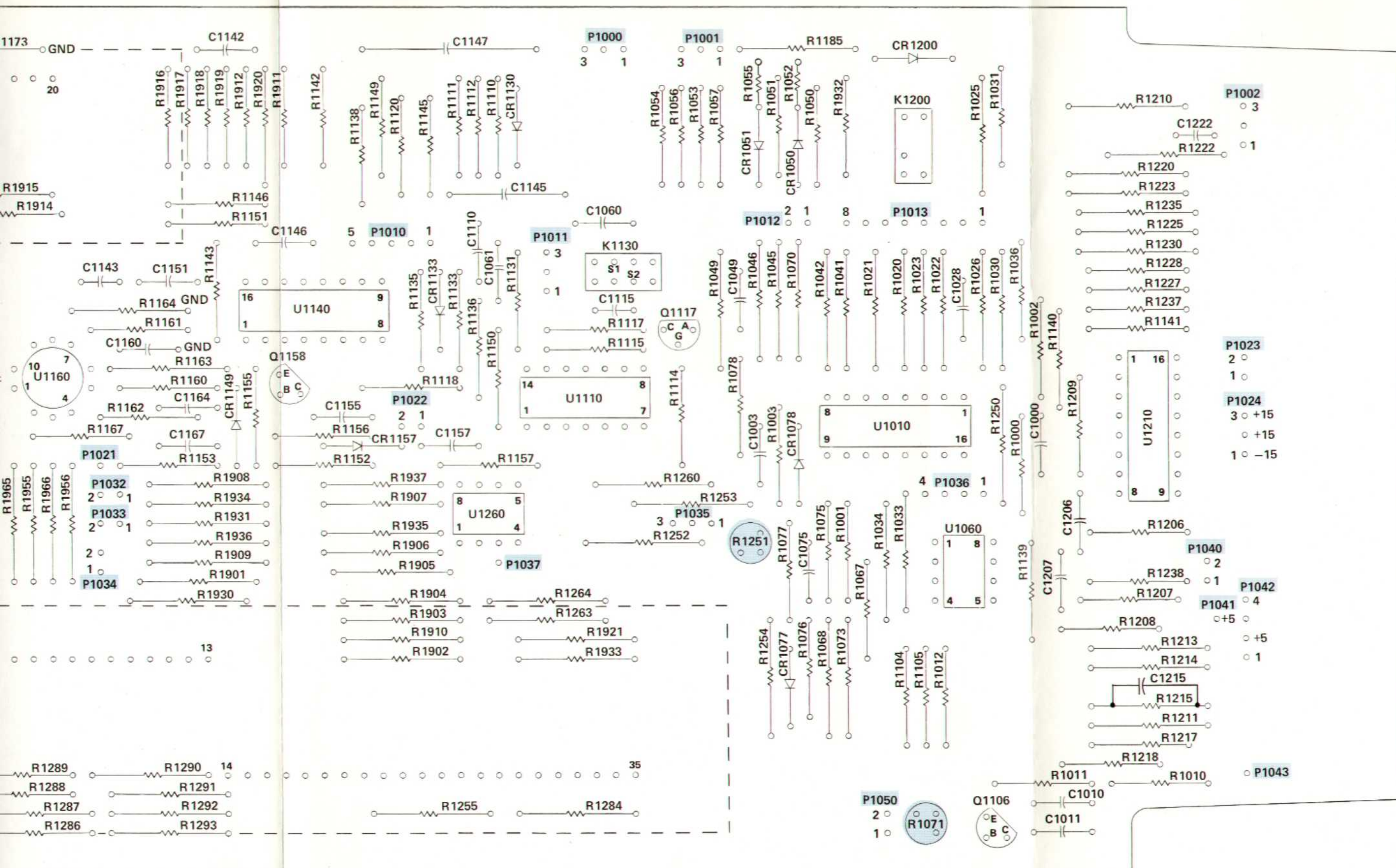
SEE PARTS LIST FOR EARLIER VALUES AND SERIAL NUMBER RANGES OF PARTS MARKED WITH BLUE OUTLINE.



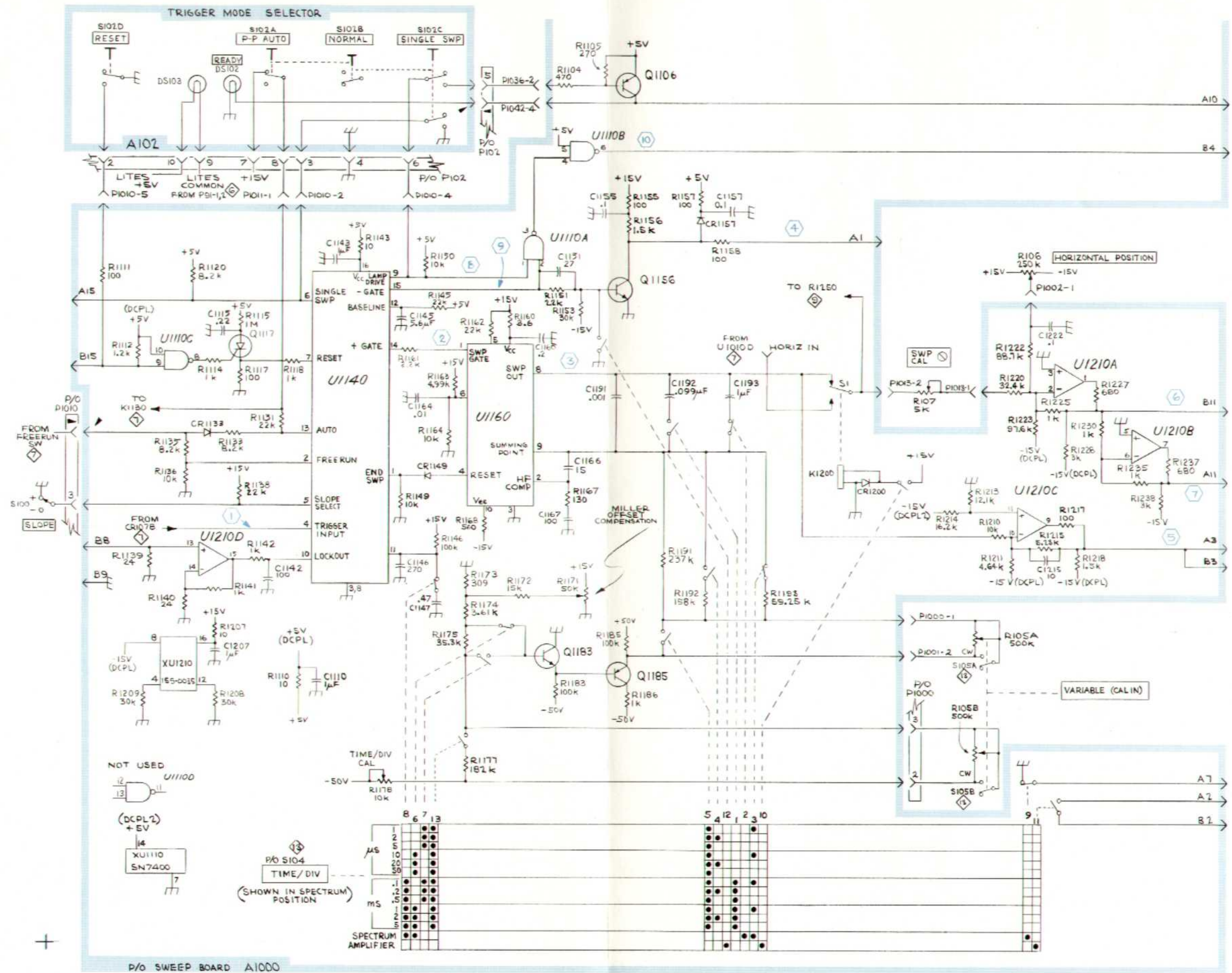
A1000 Sweep Circuit Board

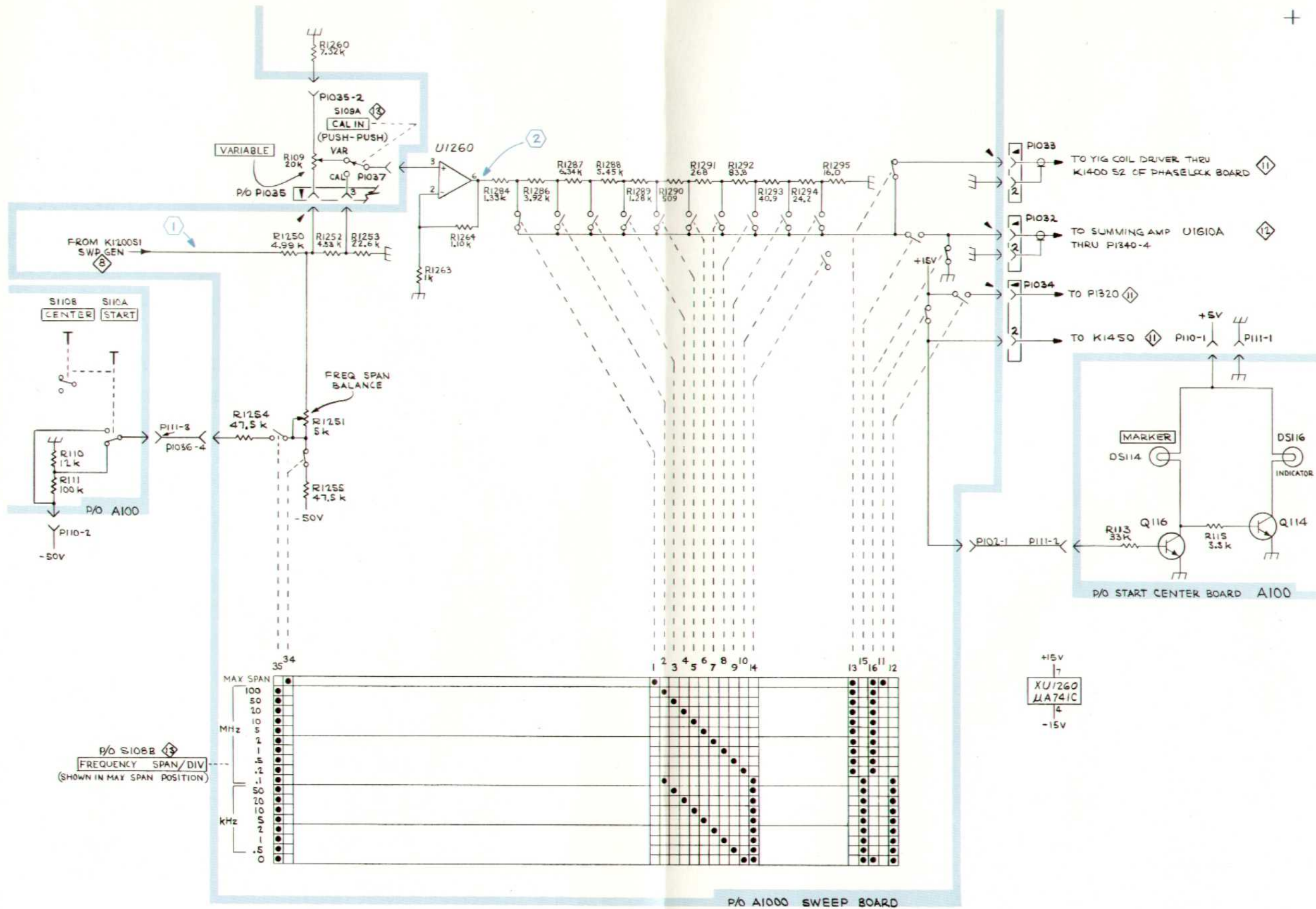


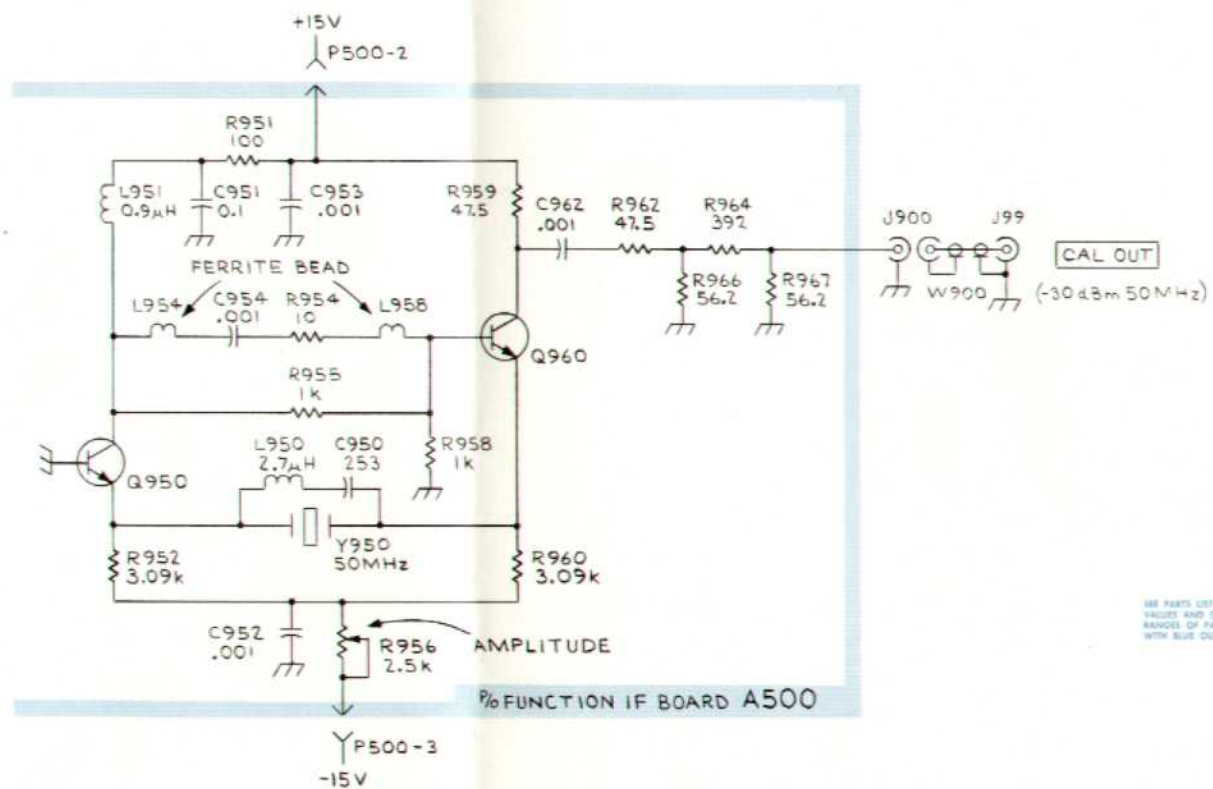
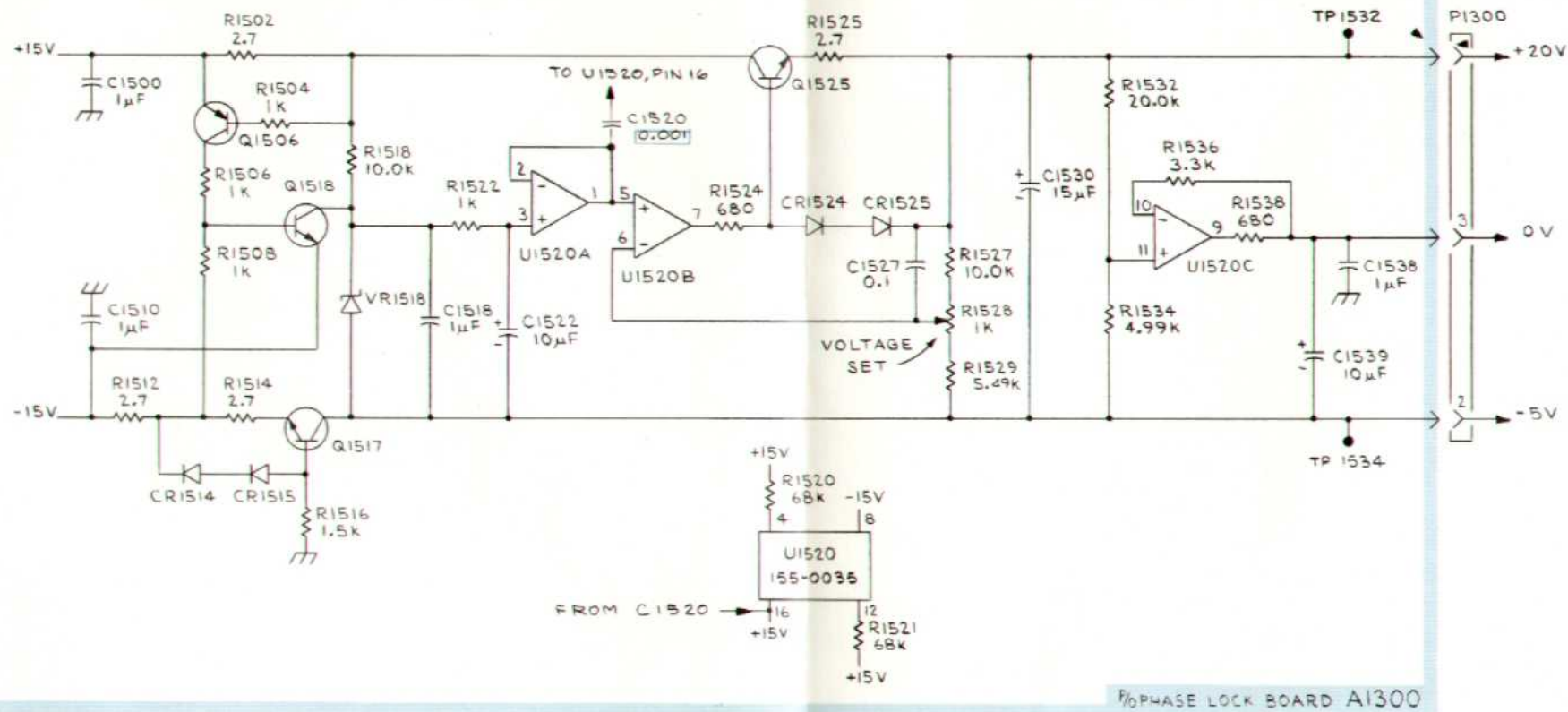
A1000 Sweep Circuit Board

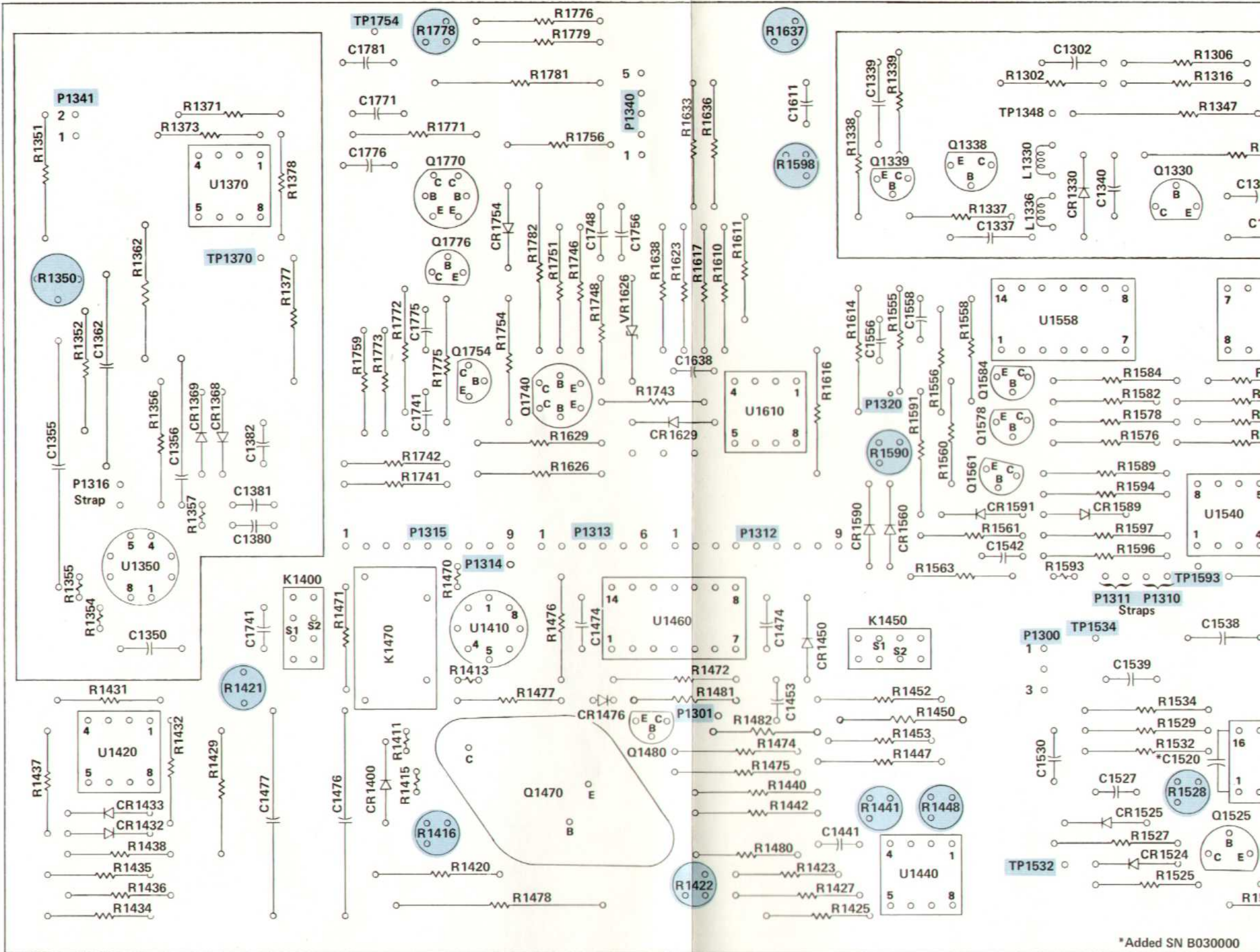


A1000 Sweep Circuit Board

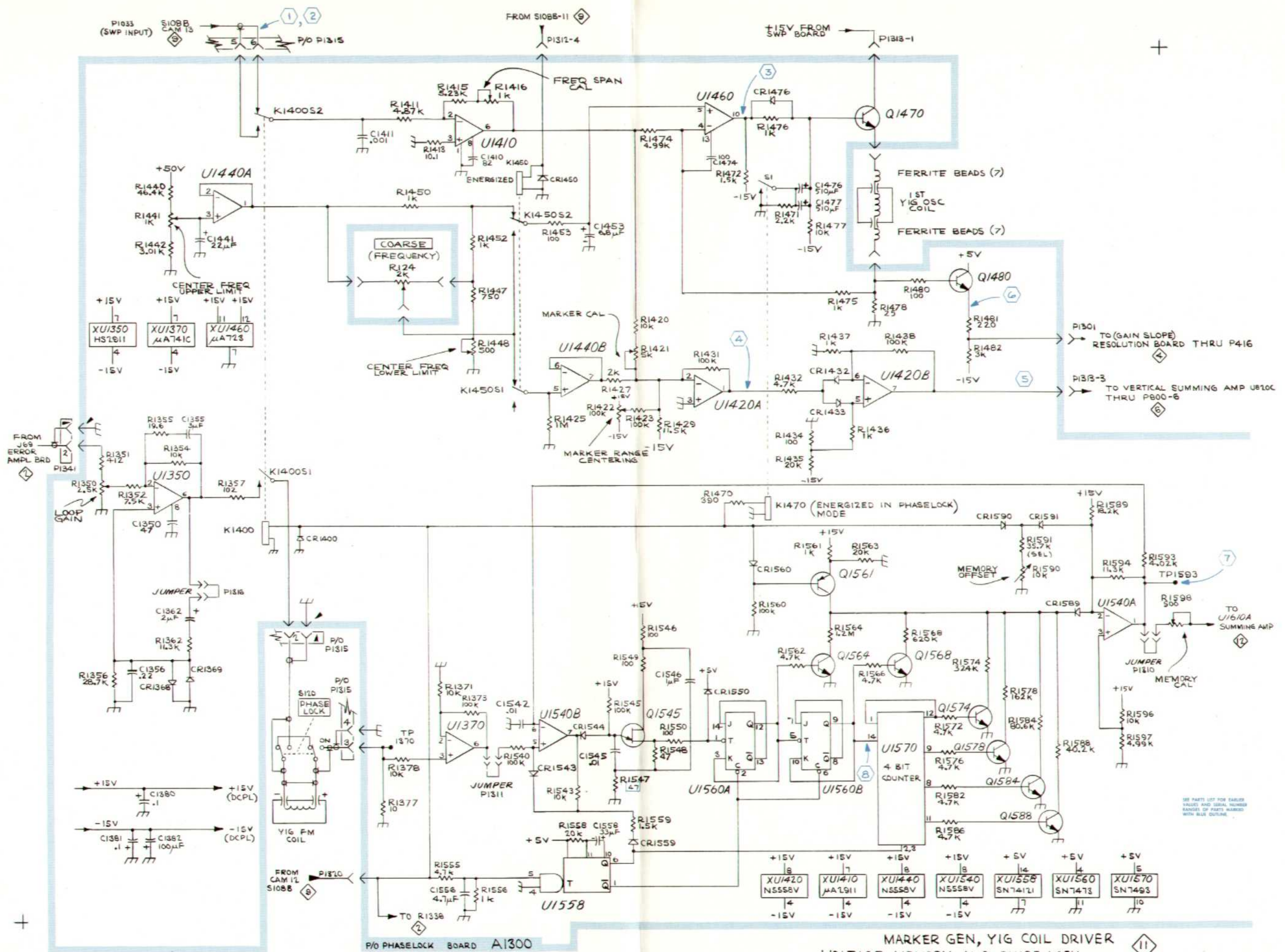








*Added SN B030000



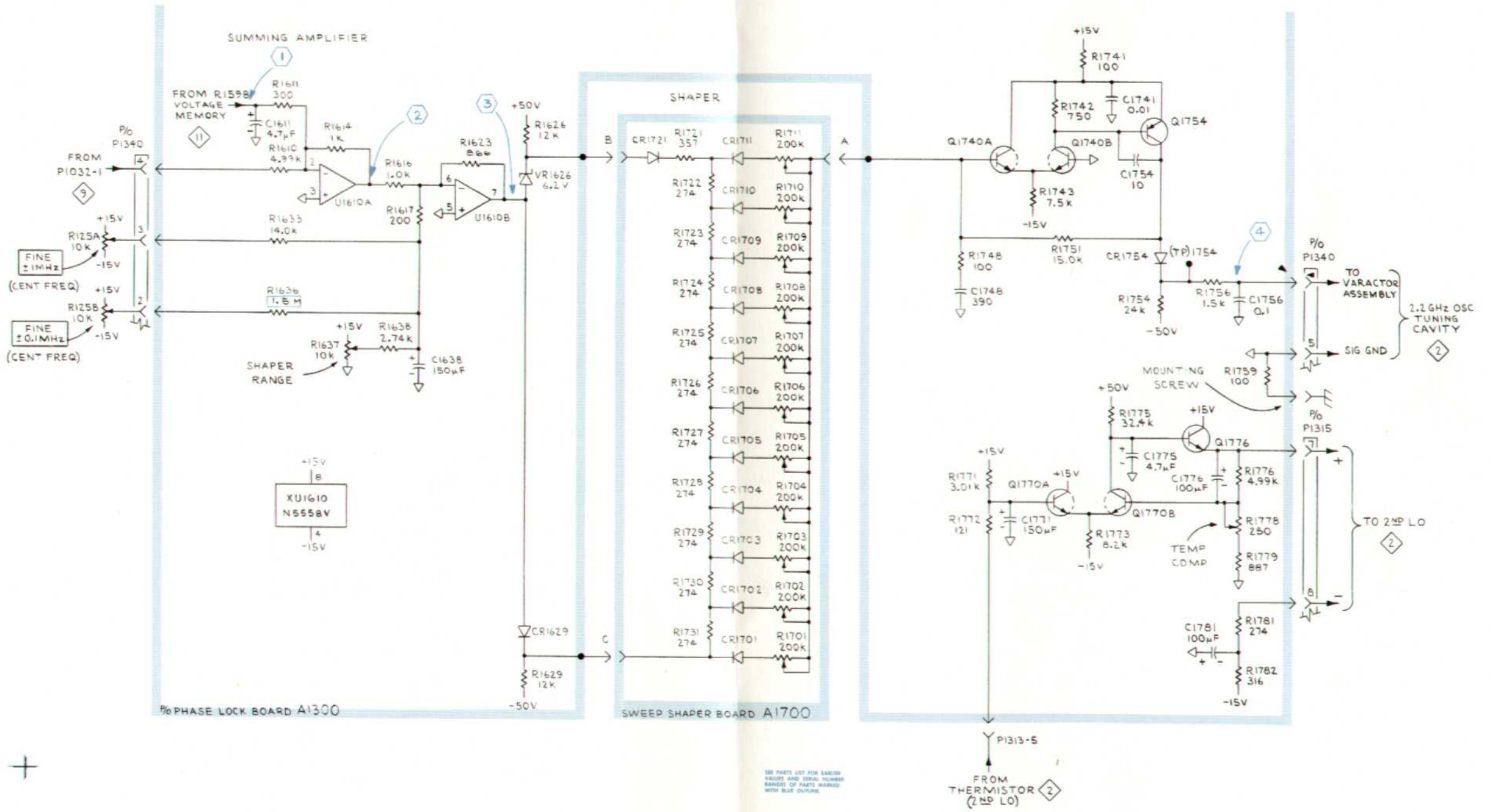
7L12

P/O PHASELOCK BOARD A1300

MARKER GEN, YIG COIL DRIVER
VOLTAGE MEMORY AND PHASE LOCK

1272 DL

SEE PARTS LIST FOR EARLY
VALUES AND SERIAL NUMBER
RANGES OF PARTS MARKED
WITH BLUE OUTLINE

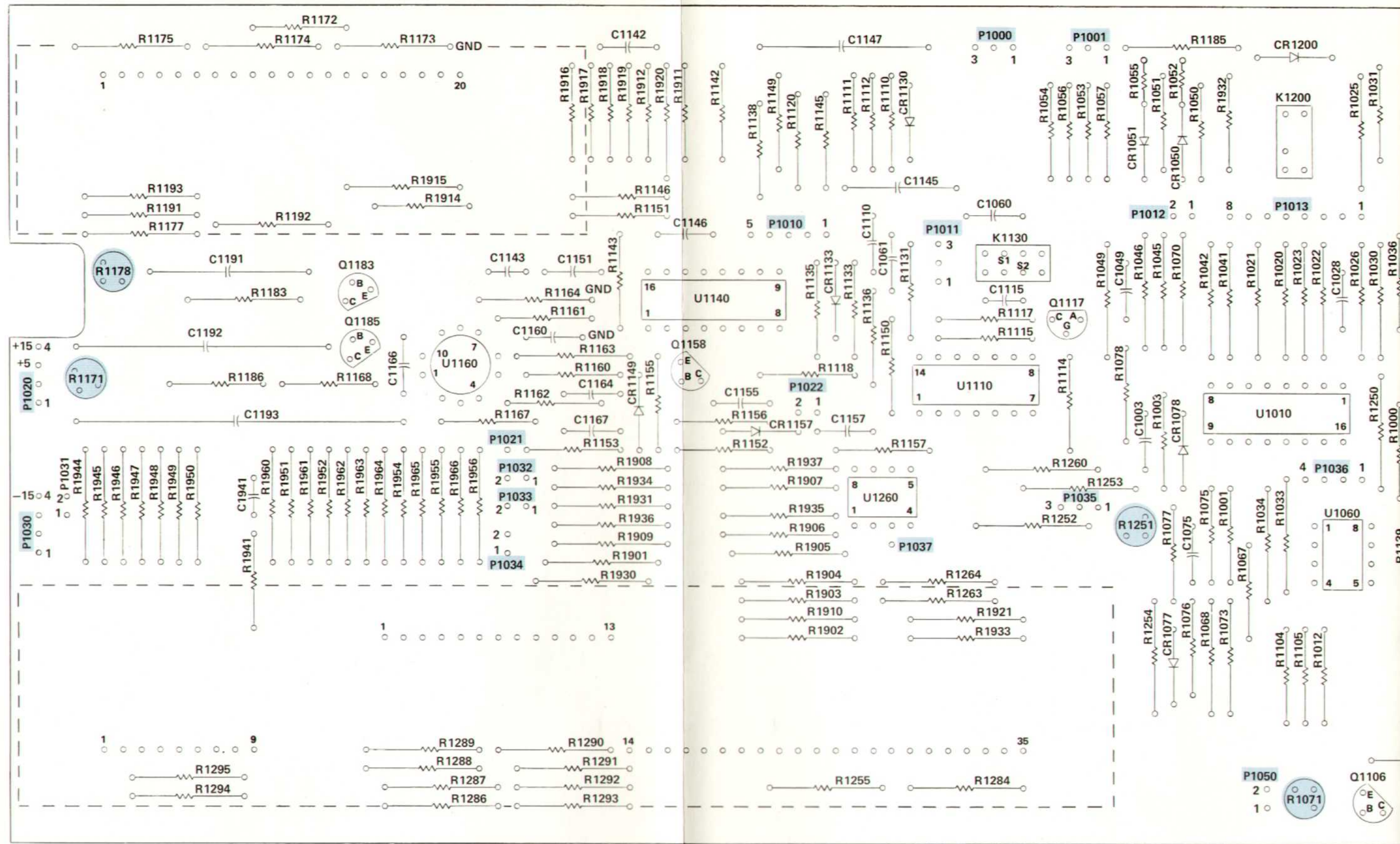


SEE PARTS LIST FOR EARLIER VALUES AND SERIAL NUMBERS. RANGES OF PARTS MARKED WITH BLUE OUTLINE.

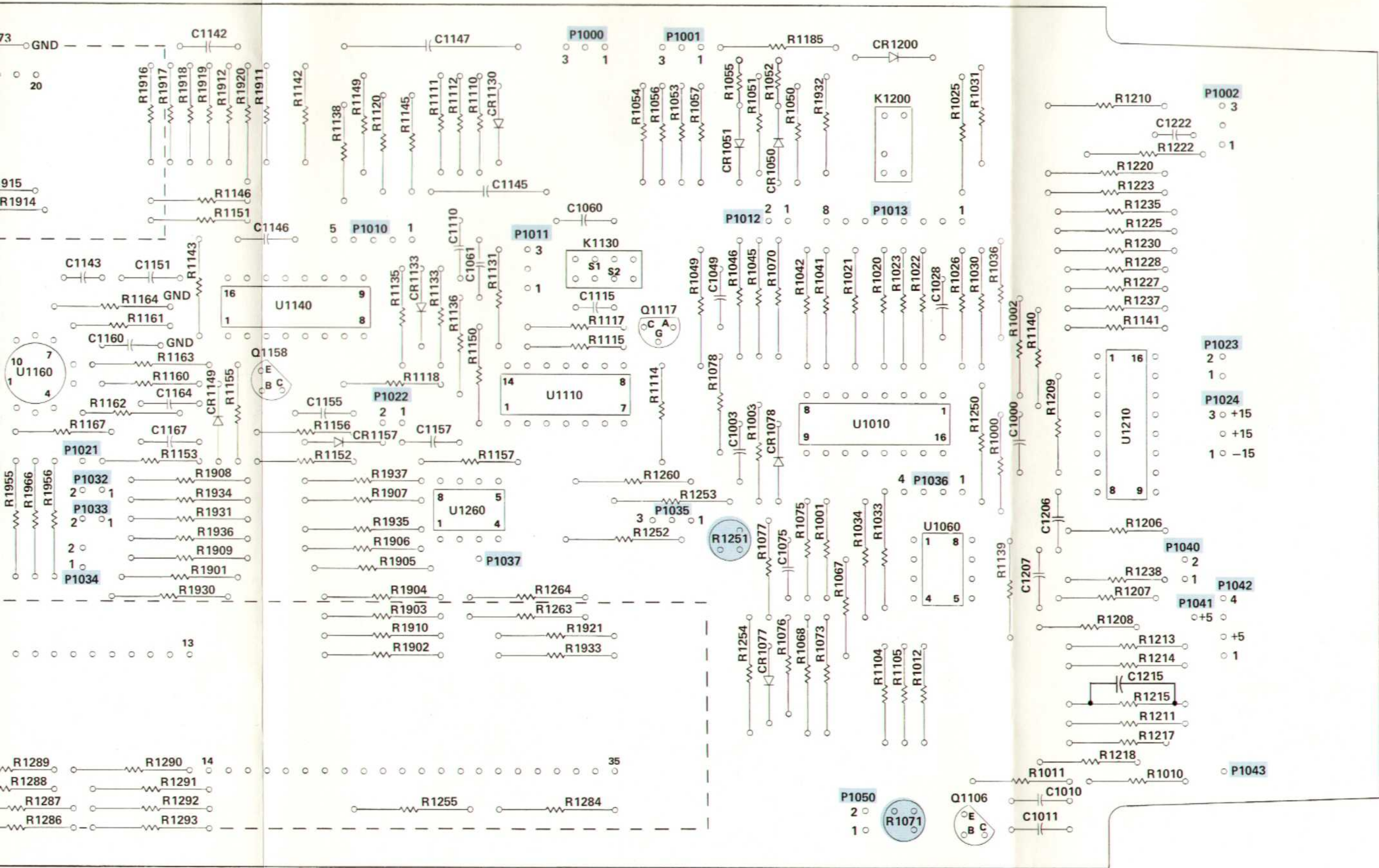
7L12

ⓑ

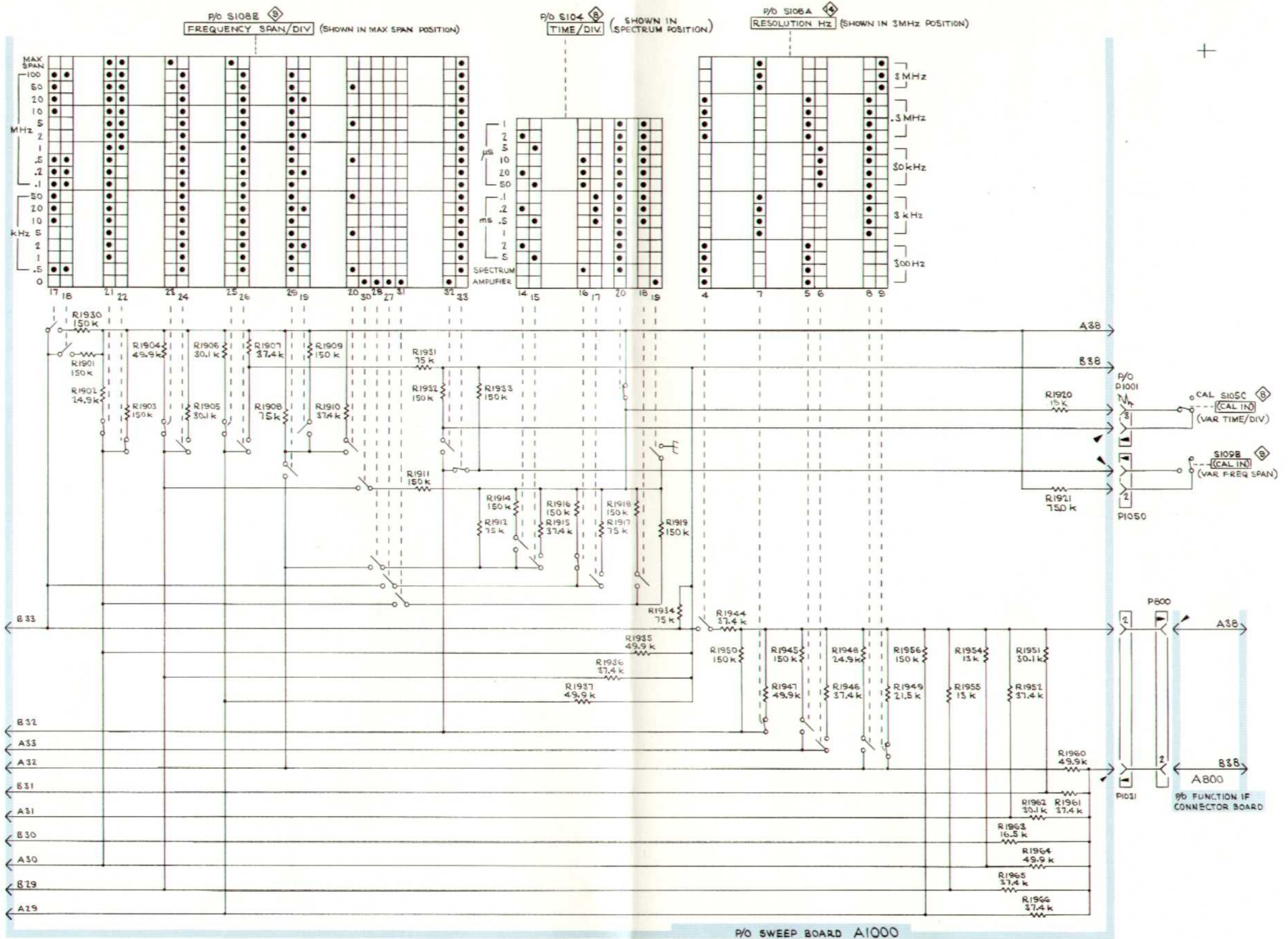
1272 NL
SWEEP SHAPER (12)

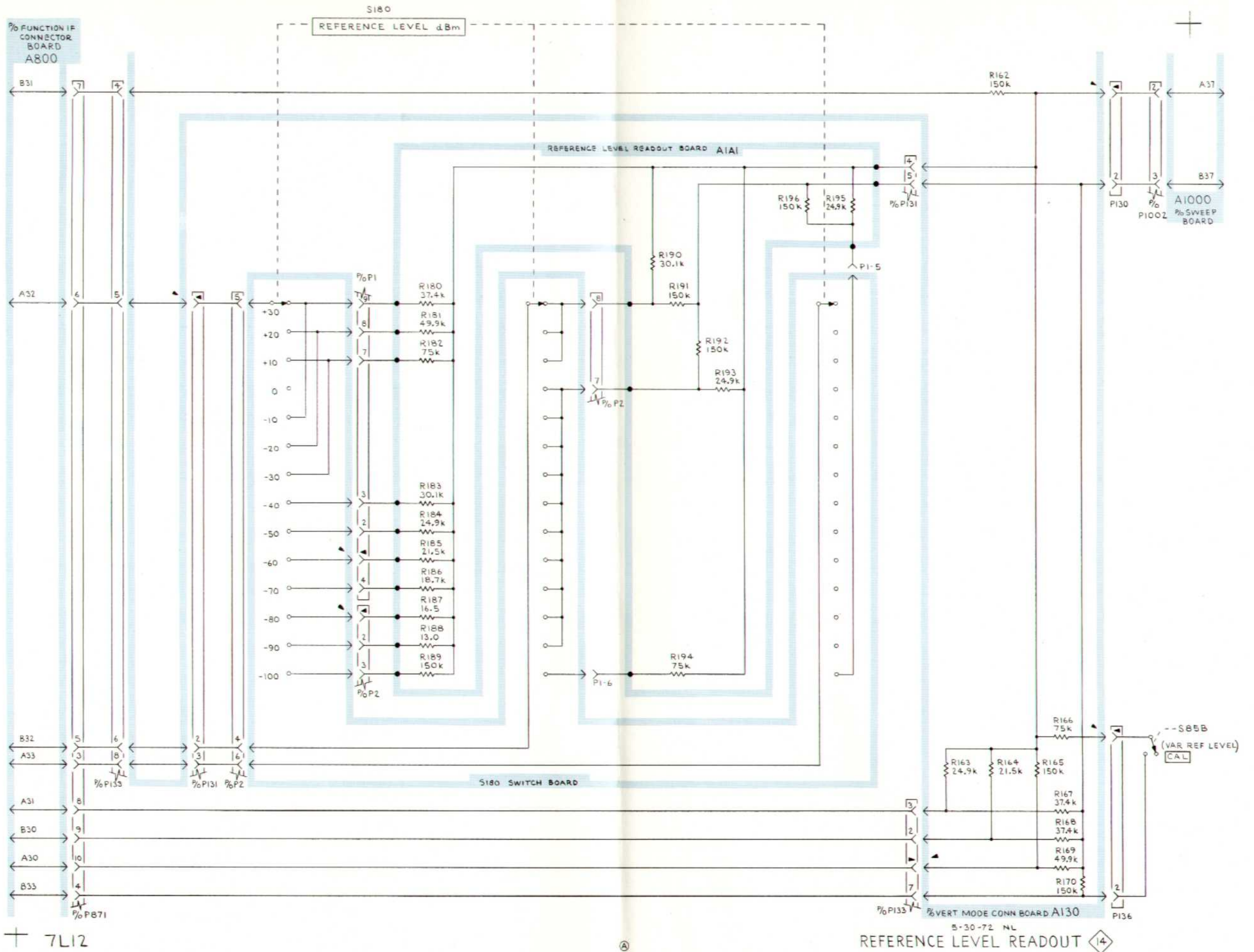


A1000 Sweep Circuit Board



A1000 Sweep Circuit Board

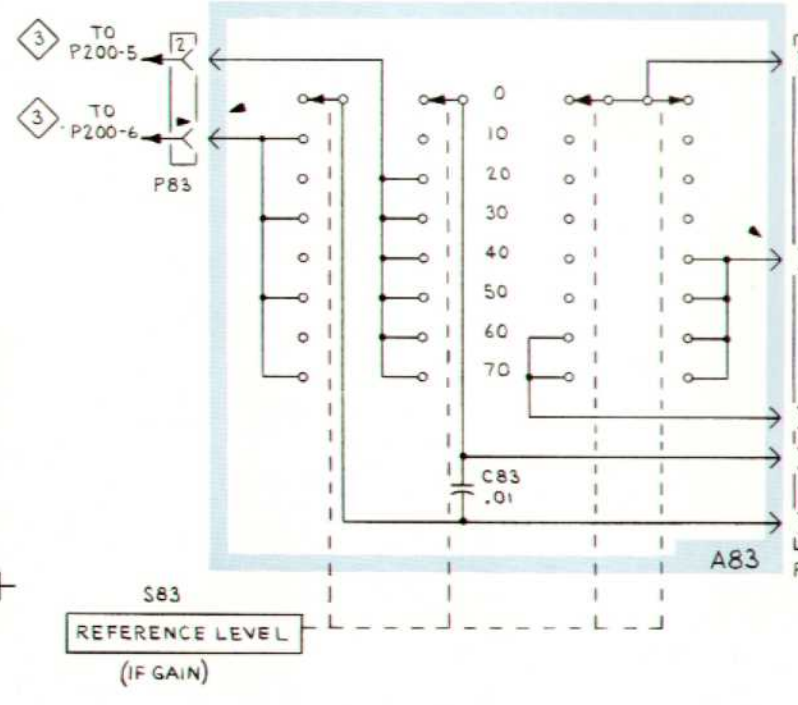
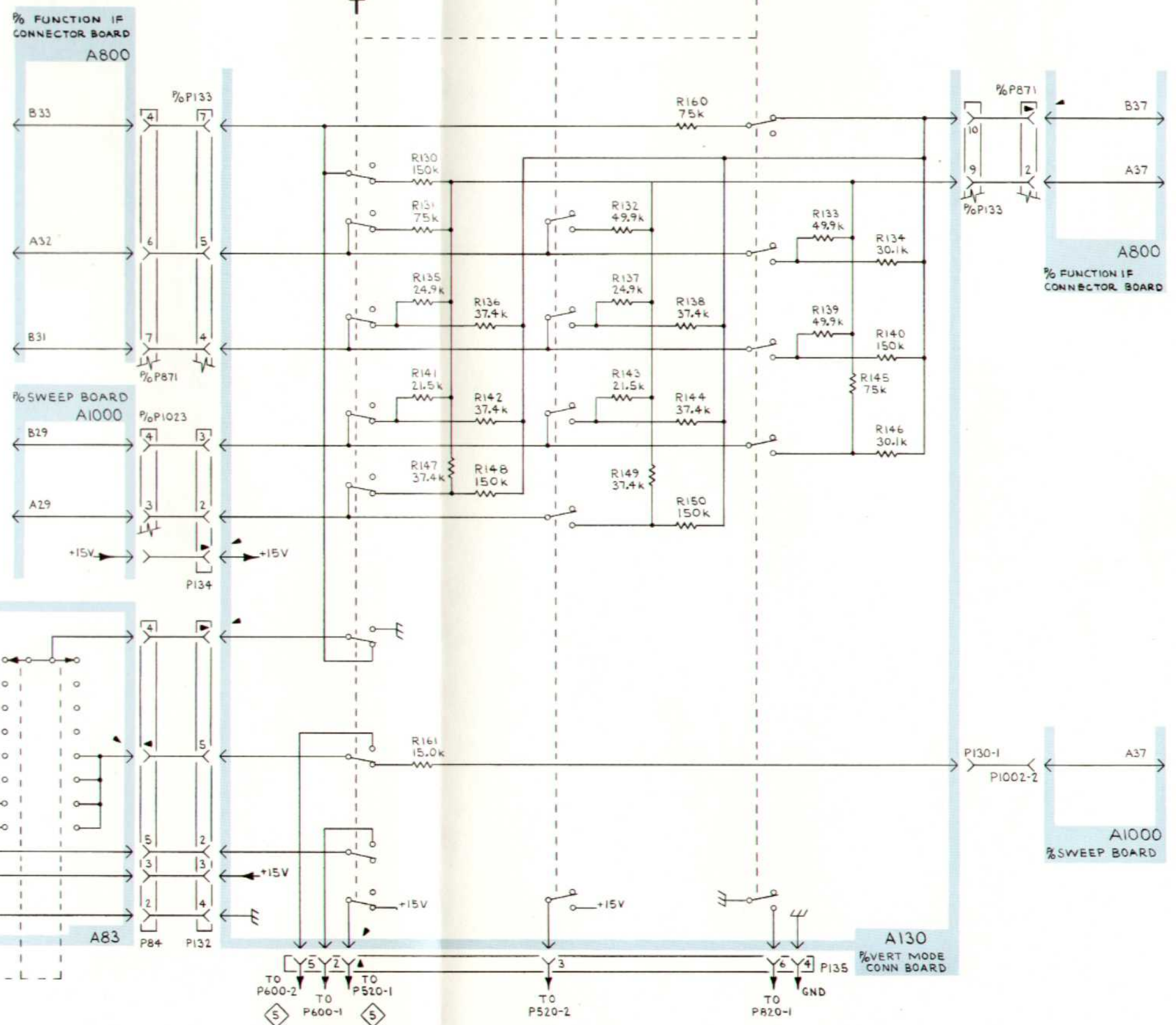




7L12

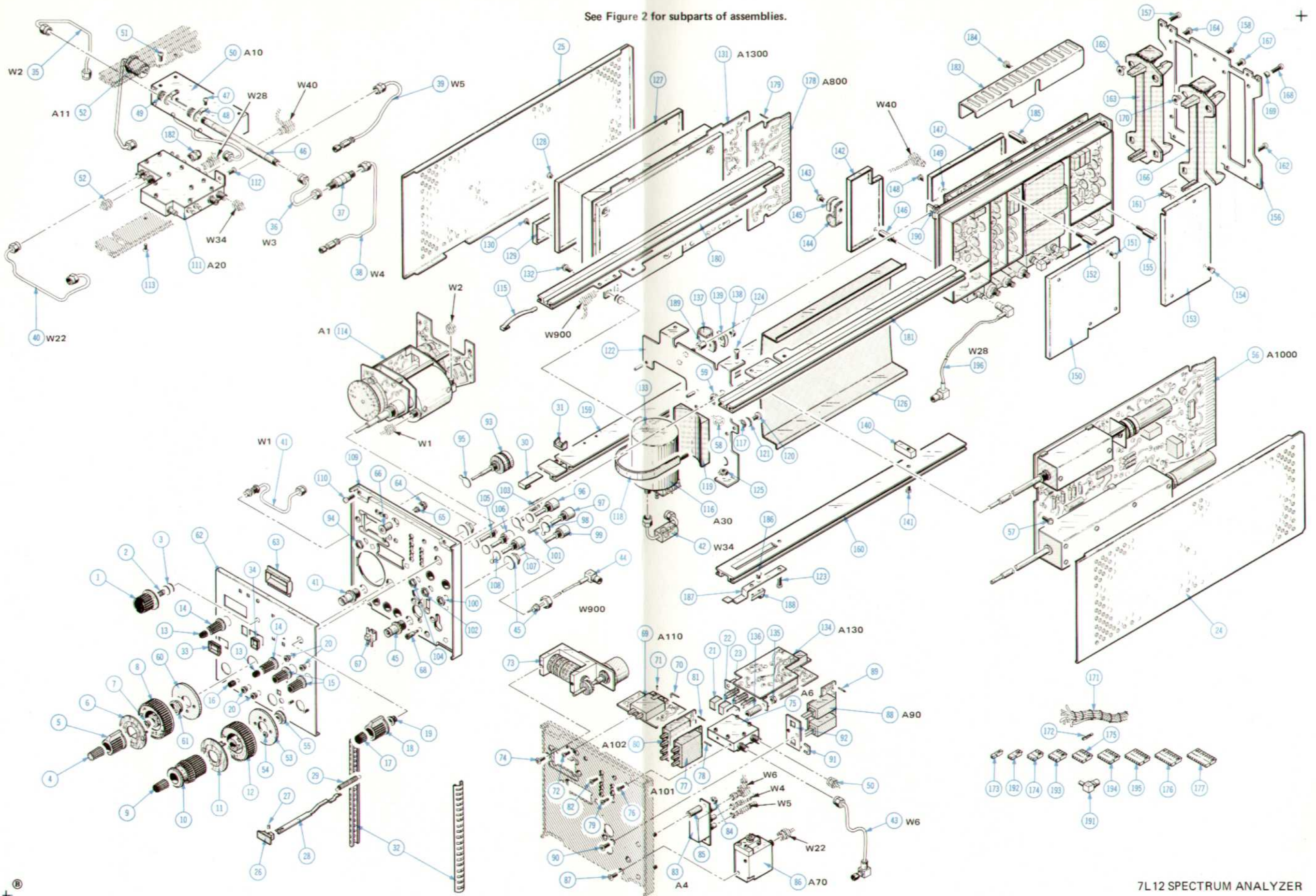
5-30-72 NL
REFERENCE LEVEL READOUT 14

S130A 10dB/DIV
 S130B 2dB/DIV
 S130C LIN



7L12

See Figure 2 for subparts of assemblies.



7L12 SPECTRUM ANALYZER

+

